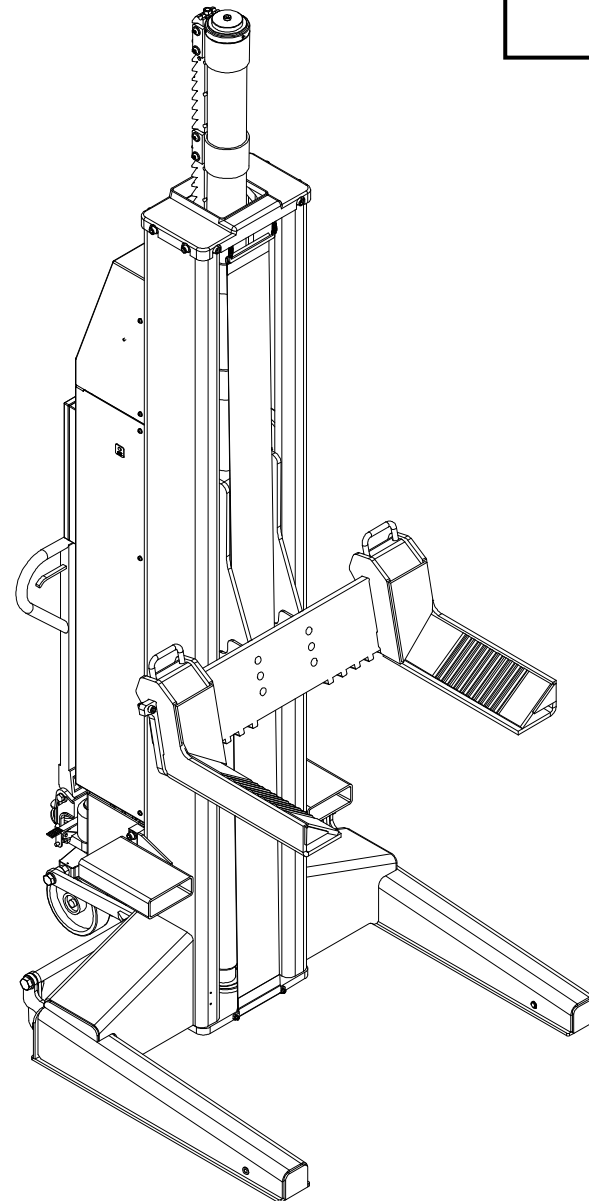
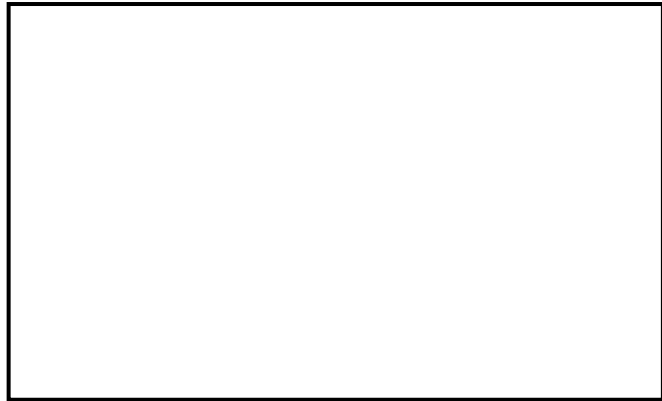
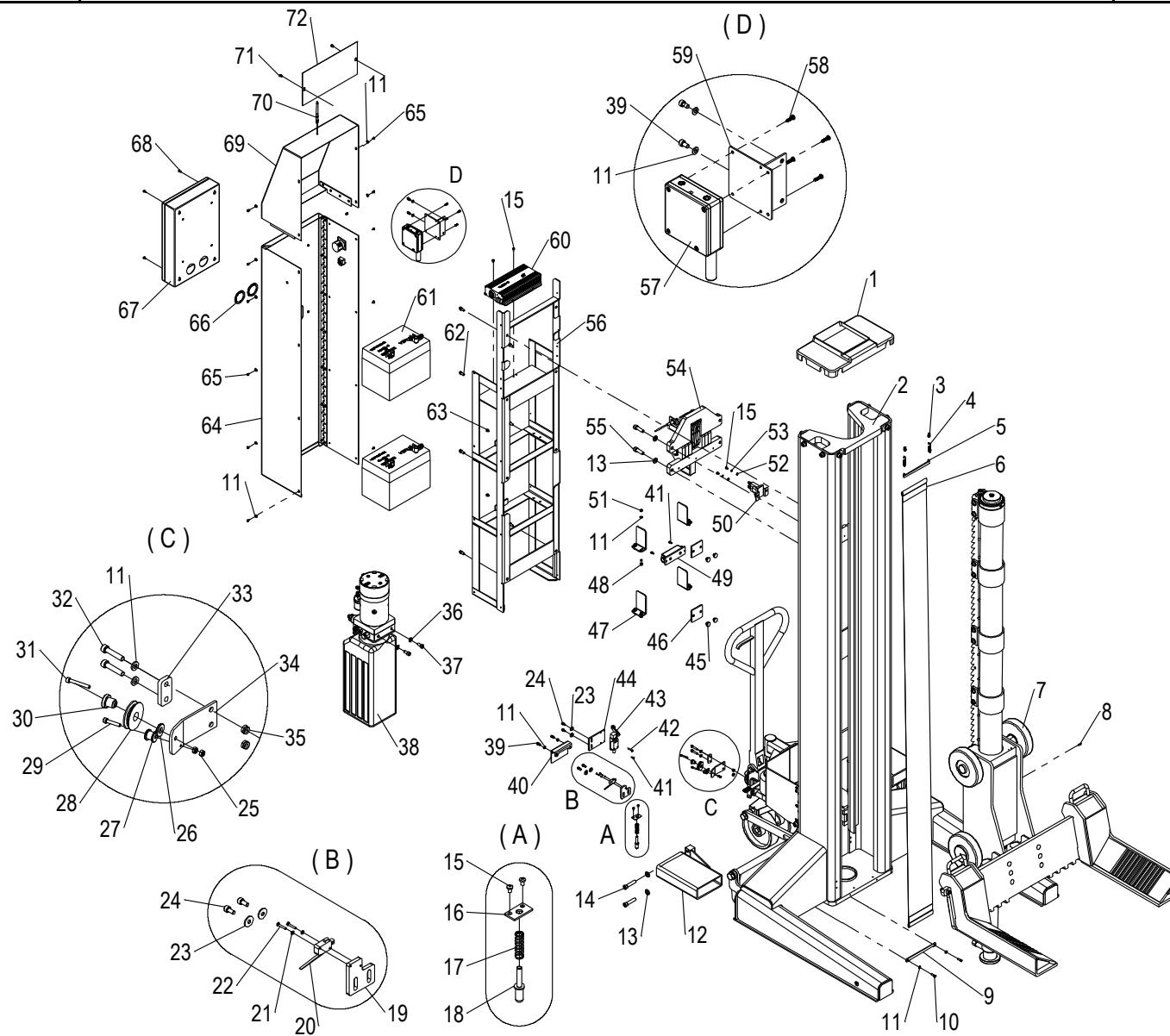

WTTL8500W





TAV.1	GENERAL BREAKDOWN	ED. 03/2021
-------	-------------------	-------------

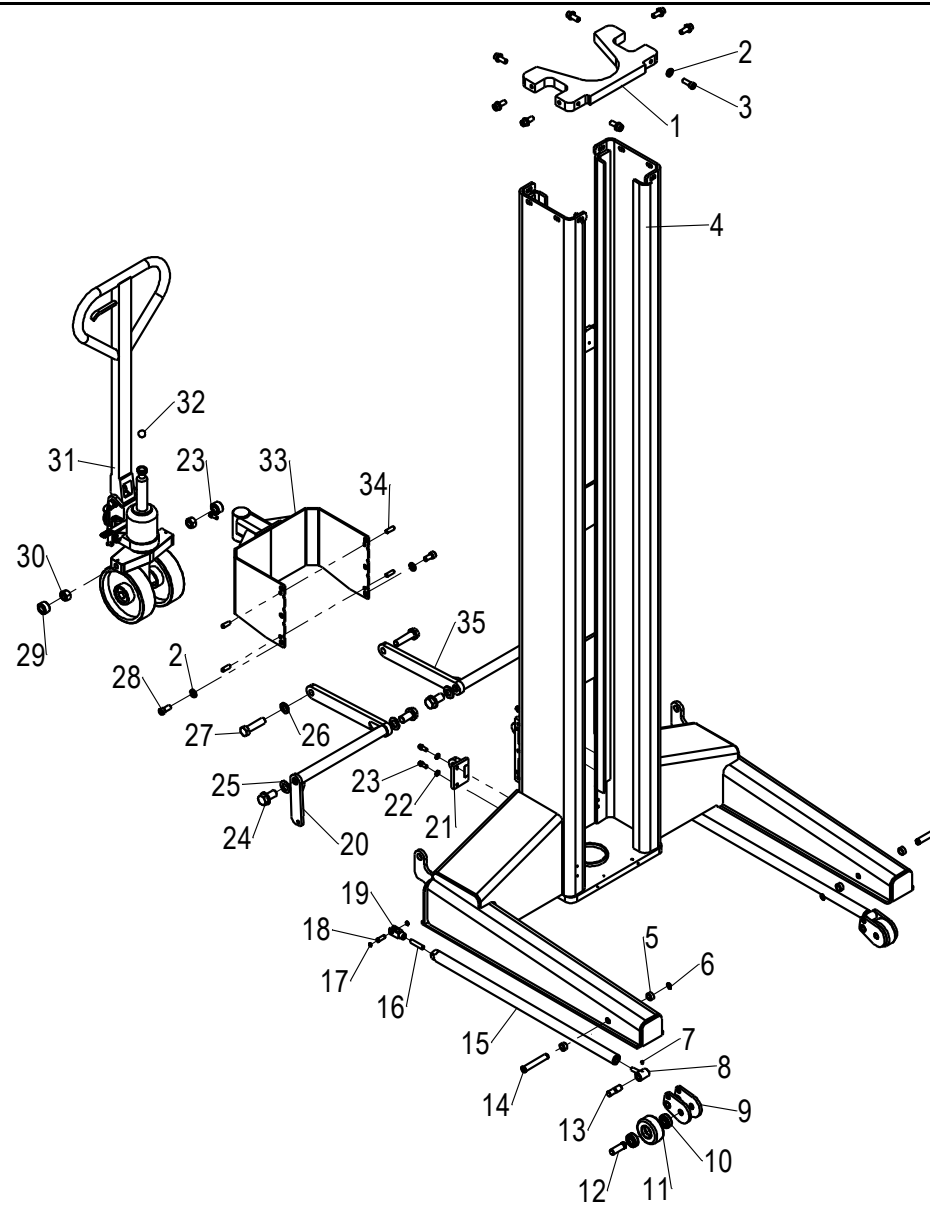
ITEM	PART NO.	DESCRIPTION	QTY	REMARK
1	Z59A000003	Top cover	1	
2	Z59Y100000WN	Column assembly	1	
3	Z59Y000030	Screen holder	2	
4	Z59Y000031	Spring	2	
5	Z59A000005	Screen holder	1	
6	Z59A000007	Front screen	1	
7	Z59Y200000N	Carriage assembly	1	
8	0202022	Screw M4X10	1	
9	Z59A000006	Screen straining plate	1	
10	0202032	Screw M6X16	2	
11	0205006	Washer D.6	24	
12	Z54Y000300	Rear arm frame	2	
13	0205013	Washer D.12	8	
14	0202077	Screw M12X55	4	
15	0206030	Screw M5X8	6	
16	Z59Y000043W	Pin cover	1	
17	Z59Y000045W	Spring	1	
18	Z59Y000042W	Pin	1	
19	Z59Y000044W	Switch support	1	
20	0505014	Micro switch	1	
21	0205001	Spring washer D.3	2	
22	0206002	Screw M3X16	2	
23	0205007	Washer D.6	4	
24	0202024	Screw M6X12	4	
25	0204001	Nut M4	2	
26	Z54Y000050W	Spacer	1	
27	Z59Y000033W	Nylon wheel	1	

TAV.1	GENERAL BREAKDOWN	ED. 03/2021
-------	-------------------	-------------

28	Z54Y000023W	Nylon pulley	1
29	0202001	Screw M4X20	1
30	Z54Y000024W	Pulley shaft	1
31	0202012	Screw M4X30	1
32	0202026	Screw M6X30	2
33	Z59Y000039W	Spacer	1
34	Z54Y000025W	Pulley support	1
35	0204003	Nut M6	2
36	0205011	Washer D.10	2
37	0202060	Screw M10X20	2
38	0302022	Hydraulic power unit	1
39	0202030	Screw M6X10	4
40	Z59Y000038W	Switch cover	1
41	0206013	Screw M4X12	3
42	0206017	Screw M4X25	1
43	0505020	Limit switch 8104	1
44	Z59Y000036W	Switch support	1
45	J54B400003	Spacer	4
46	Z59Y000062W	Sub plate	2
47	Z59Y000065W	Angle plate	4
48	0202033	Screw M6X20	8
49	0504027/28	Fuse	1
50	0501097	DC contactor	1
51	0203035	Nut M6	8
52	0205004	Washer D.5	2
53	0208003	Spring washer D.5	2
54	Z59Y300000WN	Safety device	1

TAV.1	GENERAL BREAKDOWN	ED. 03/2021
-------	-------------------	-------------

55	0202076	Screw M12X40	4
56	Z59Y000600W	Frame	1
57	0507526	Synchronization sensor unit	1
58	0207058	Self-tapping screw ST3.5X16	4
59	Z59Y000900W	Support	1
60	0508386	Charger	1
61	0508410	Storage battery	2
62	0202040	Screw M8X16	8
63	0206036	Screw M6X8	2
64	Z59Y000800W	Lower cover	1
65	0206083	Screw M5x8	16
66	0690349	Seal 155	2
67	Z59YD20000W	Control panel	1
68	0206024	Screw M5X10	4
69	Z59Y110700W	Upper cover	1
70	0507347	Antenna	1
71	0206085	Screw M6X8	2
72	Z59Y000060W	Cover	1

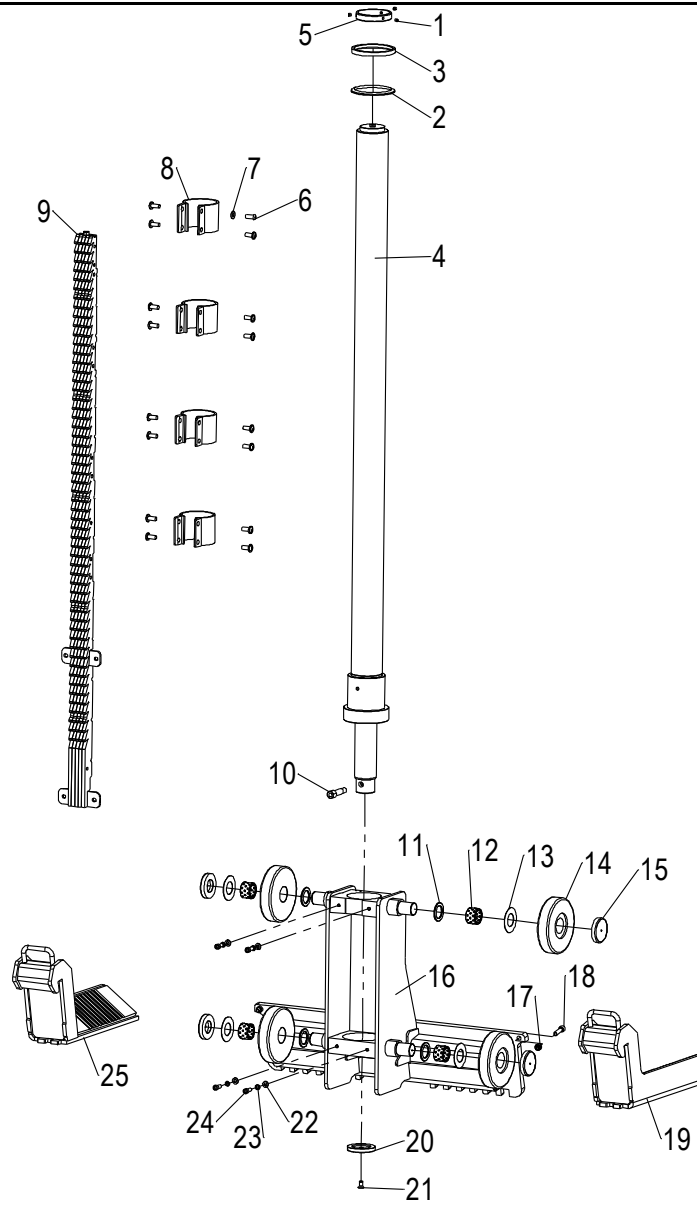


TAV.2	COLUMN ASSEMBLY	ED. 03/2021
-------	-----------------	-------------

ITEM	PART NO.	DESCRIPTION	QTY	REMARK
1	Z59Y100002	Column top cover	1	
2	0205013	Washer D.12	10	
3	0202090	Screw M12X30	8	
4	Z59Y110000WN	Column	1	
5	Z59Y000061	Bush	4	
6	0212015	Seeger D.15	2	
7	0209030	Screw M6X8	2	
8	Z54Y120000	Connection bush	2	
9	Z59A130000	Wheel support	2	
10	0214016	Bearing 6203	4	
11	Z59A100013	Nylon wheel D.80	2	
12	Z59A100010	Shaft	2	
13	Z59A100009	Pin	2	
14	Z59A150000	Pivot	2	
15	Z59Y100010	Shaft	2	
16	Z54Y100005	Short stud	2	
17	0212013	Seeger D.10	4	
18	Z54Y100004	Pin	2	
19	Z54Y100003	Connection joint	2	
20	Z59Y140000	Right jack connection frame	1	
21	Z59Y130000	Support rim	2	
22	0205008	Washer D.8	4	
23	0202045	Screw M8X20	5	
24	0201152	Screw M20X40	4	
25	0205022	Washer D.20	8	
26	0205021	Washer D.18	2	
27	0201253	Screw M18X70	2	

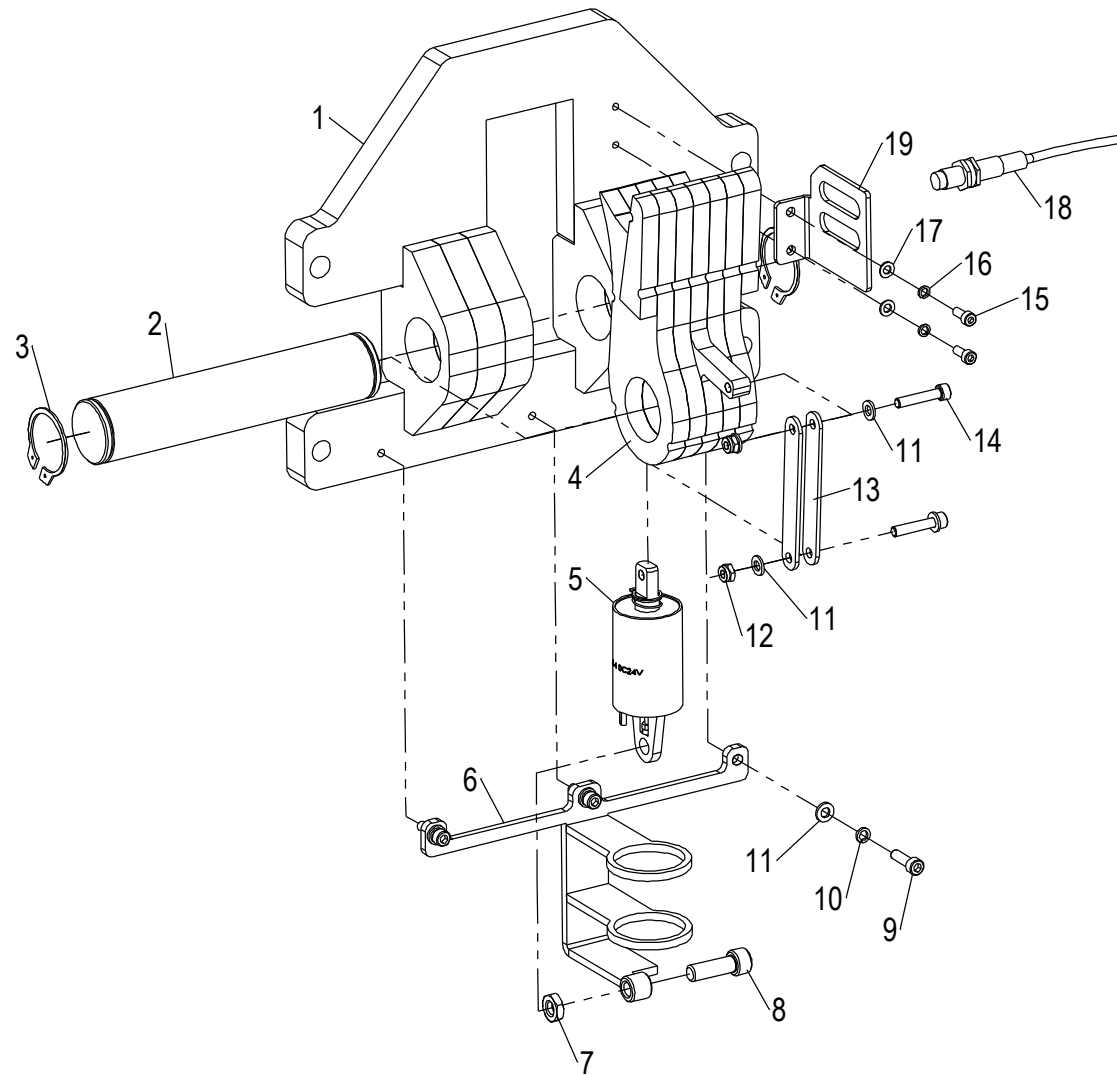
TAV.2	COLUMN ASSEMBLY	ED. 03/2021
-------	-----------------	-------------

28	0202109	Screw M12X25	2
29	Z59B100001	Spacer	2
30	0203015	Nut M18 - GB/T6170	2
31	0313060	Hydraulic mobile jack TC-200	1
32	0215077	Steel ball D.20	1
33	Z59Y160000W	Mobile jack support	1
34	0213162	Pin 10X30	4
35	Z59Y120000	Left jack connection frame	1



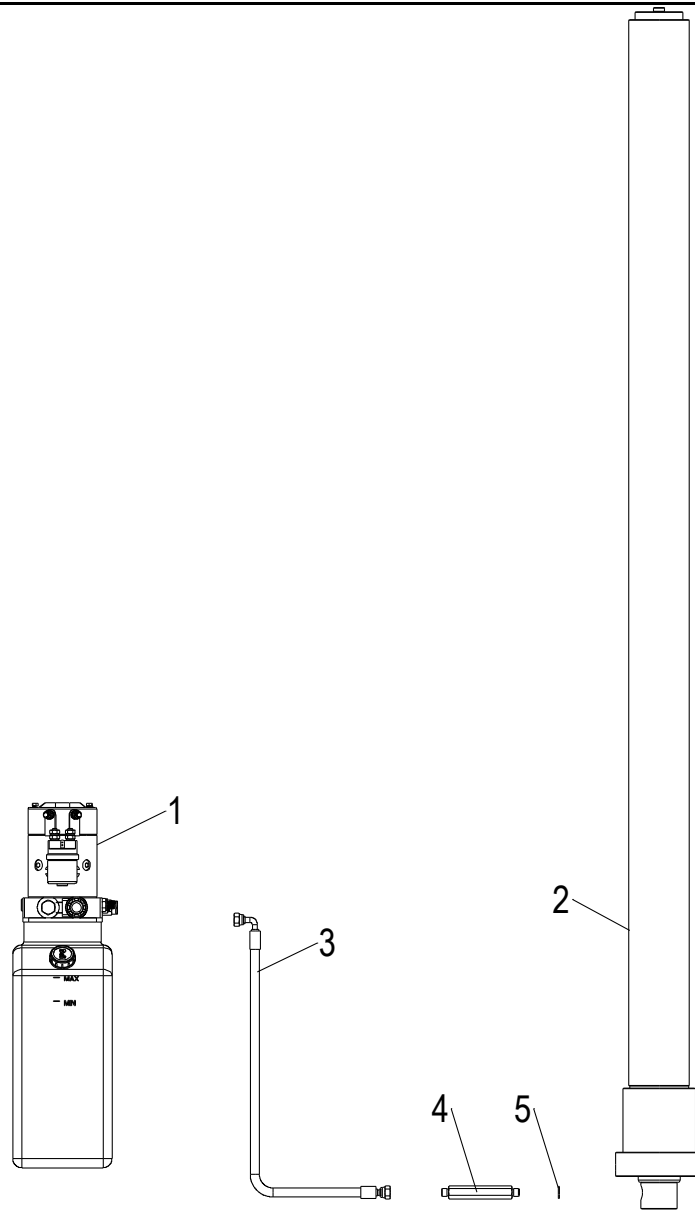
TAV.3	CARRIAGE ASSEMBLY	ED. 03/2021
-------	-------------------	-------------

ITEM	PART NO.	DESCRIPTION	QTY	REMARK
1	0209072	Screw M8X8	3	
2	Z59Y200004	Cylinder spacer 1	1	
3	Z59Y200003	Cylinder spacer 2	1	
4	Z59YY10000	Hydraulic cylinder	1	
5	Z59Y200010	Cover	1	
6	0206053	Screw M12X30	16	
7	0205013	Washer D.12	16	
8	Z59Y230000	Cylinder clamp	4	
9	Z59Y220000	Safety rack	1	
10	0303131	Union 1B-04-T105	1	
11	Z59A200002	Washer	4	
12	Z53Y200020	Bush bearing	4	
13	Z59A200003	Spacer	4	
14	Z59Y200001	Carriage wheel	4	
15	Z59A200006	Nylon slider	4	
16	Z59Y210000N	Carriage	1	
17	0204007	Nut M12	2	
18	0202076	Screw M12X40	2	
19	Z59Y270000N	Left lifting arm	1	
20	Z59Y200005	Cylinder head protection	1	
21	0207023	Screw M10X20	1	
22	0205011	Washer D.10	4	
23	0208007	Spring washer D.10	4	
24	0202120	Screw M10X25	4	
25	Z59Y260000N	Right lifting arm	1	



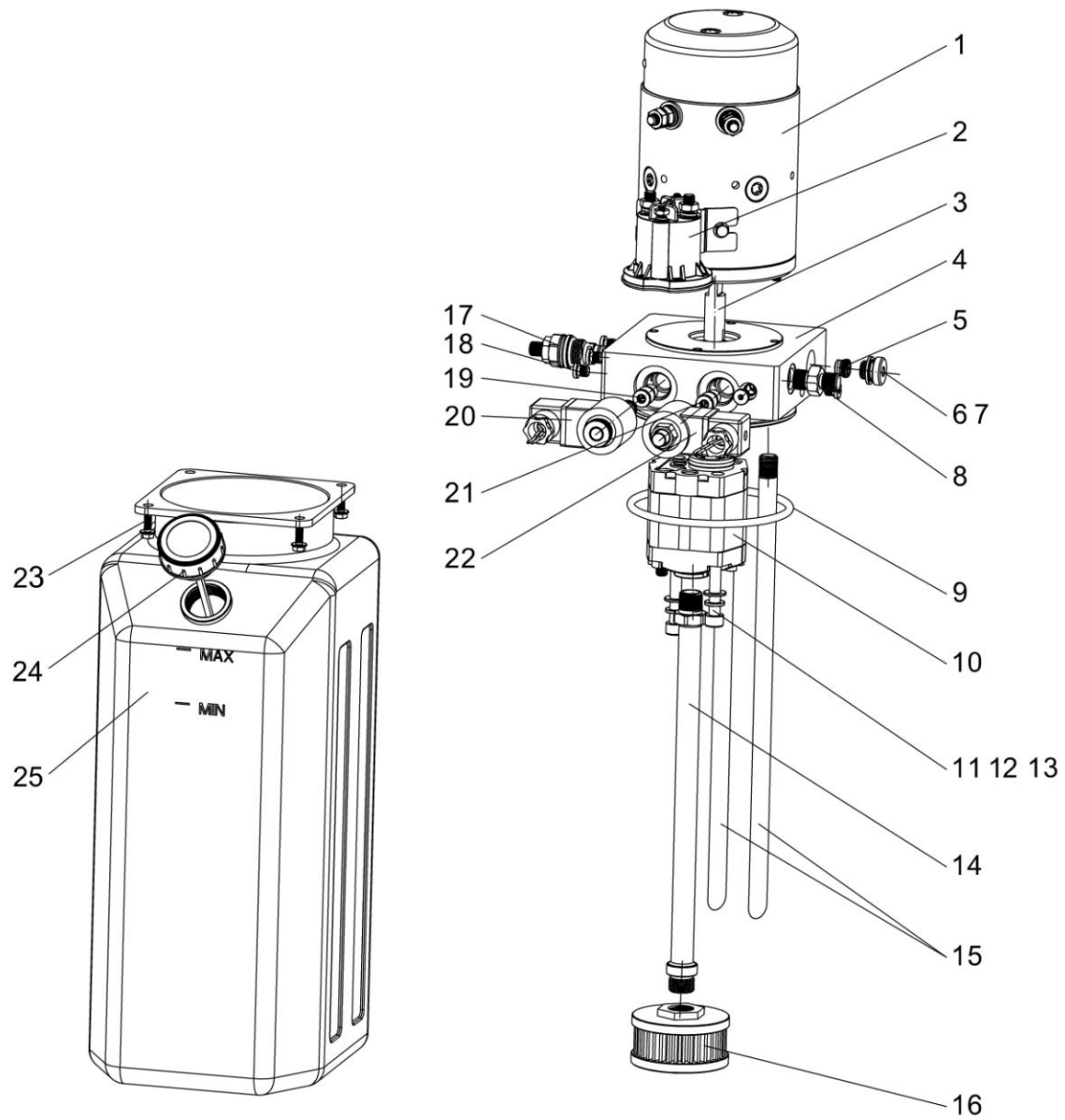
TAV.4	SAFETY DEVICE	ED. 03/2021
--------------	----------------------	--------------------

ITEM	PART NO.	DESCRIPTION	QTY	REMARK
1	Z59Y310000W	Safety support	1	
2	Z59Y300001	Safety shaft	1	
3	0212008	Seeger D.40 - GB/T894.1	2	
4	Z59Y330000	Safety hook	1	
5	0505082	Safety release electromagnet	1	
6	Z59Y320000	Electromagnet support	1	
7	0204012	Nut M10	1	
8	0202062	Screw M10X30	1	
9	0202033	Screw M6X20	3	
10	0208005	Locking washer D.6	3	
11	0205006	Washer GB/T97.1/6	7	
12	0204003	Nut M6	2	
13	Z59Y300002	Connection plate	2	
14	0202026	Screw M6X30	2	
15	0202016	Screw M5X12	2	
16	0208003	Locking washer D.5	2	
17	0205004	Washer D.5	2	
18	0505064	Proximity switch JM12L-Y4PK	1	
19	Z54Y000013W	Support	1	



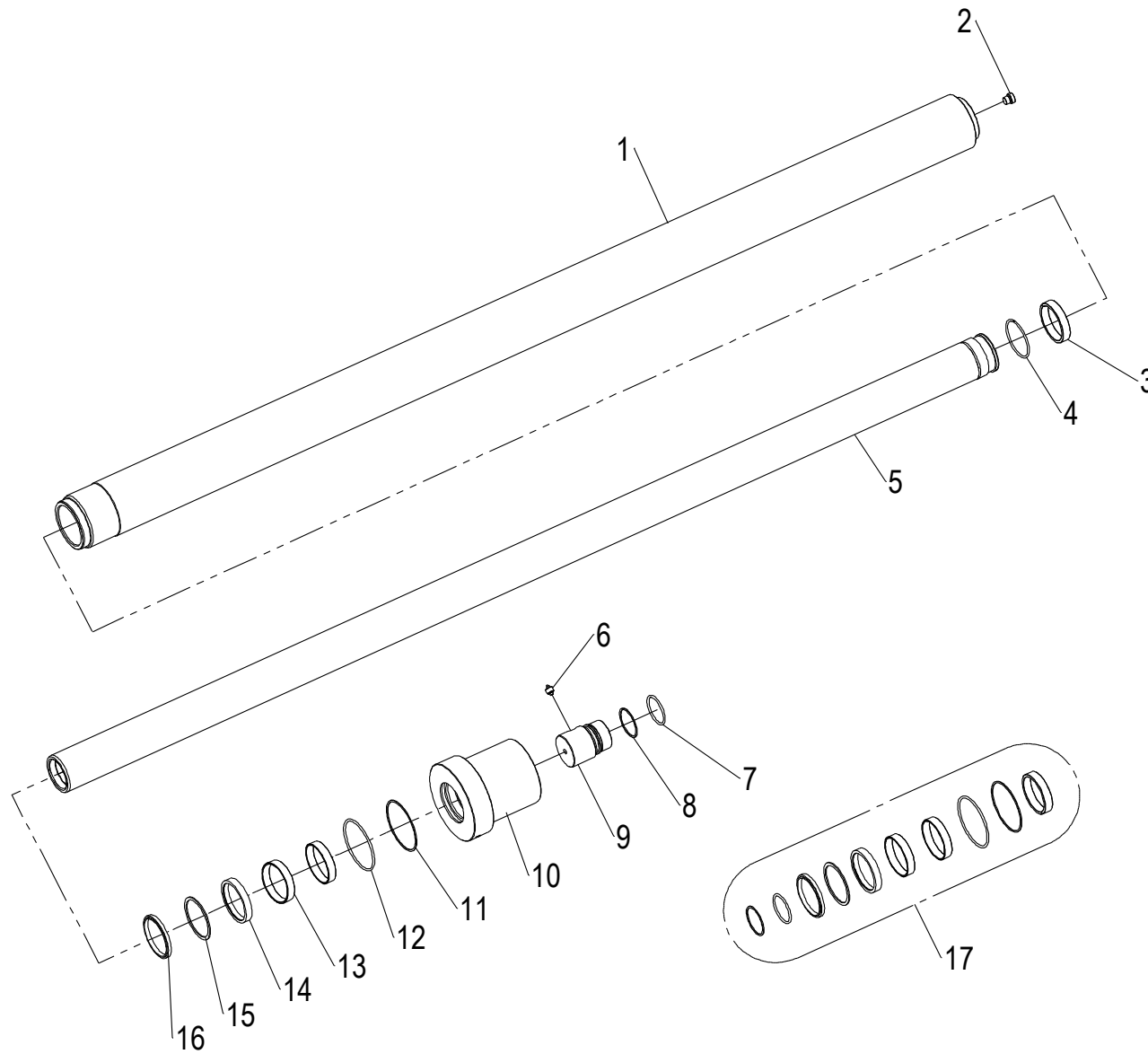
TAV.5	HYDRAULIC SYSTEM	ED. 03/2021
-------	------------------	-------------

ITEM	PART NO.	DESCRIPTION	QTY	REMARK
1	0302022	Hydraulic power unit	1	
2	Z59YY10000	Hydraulic cylinder unit	1	
3	ZW760	Hydraulic hose L=760	1	
4	0303131	Union 1B-04-T105	1	
5	0313001	Washer BS/A13.70	1	



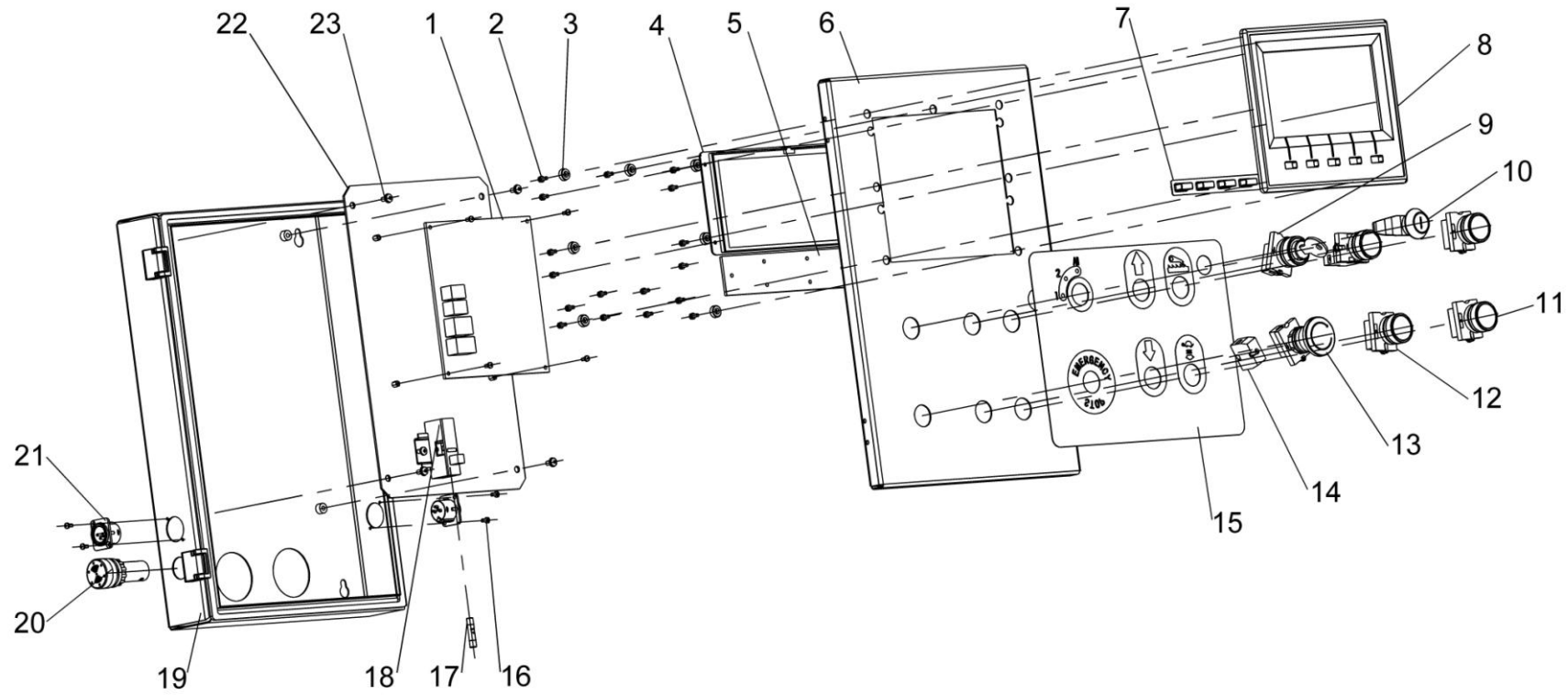
TAV.6	HYDRAULIC POWER UNIT	ED. 03/2021
-------	----------------------	-------------

ITEM	PART NO.	DESCRIPTION	QTY	REMARK
1	0302022-1	Motor 24V/2.2KW	1	
2	0302022-2	Switch 24VDC	1	
3	0302022-3	Coupling 43.5mm	1	
4	0302022-4	Manifold	1	
5	0302022-5	Check valve	1	
6	0302022-6	Seal 14A	1	
7	0302022-7	Plug	1	
8	0302022-8	Union SAE6#-G1/4	1	
9	0302022-9	O-ring 109x5.3	1	
10	0302022-10	Gear pump 1.6cc/r	1	
11	0302022-11	Spring washer D.8	2	
12	0302022-12	Washer D.8	2	
13	0302022-13	Screw M8x80	2	
14	0302022-14	Oil suction pipe 350mm	1	
15	0302022-15	Oil return pipe 396mm	2	
16	0302022-16	Oil filter	1	
17	0302022-17	Relief valve	1	
18	0302022-18	Plug	6	
19	0302022-19	Balancer valve	1	
20	0302022-20	Solenoid valve 24VDC	1	
21	0302022-21	Balancer valve	1	
22	0302022-22	Solenoid valve 24VDC	1	
23	0302022-23	Screw M5x12	4	
24	0302022-24	Oil level plug	1	
25	0302022-25	Oil tank	1	



TAV.7	HYDRAULIC CYLINDER	ED. 03/2021
-------	--------------------	-------------

ITEM	PART NO.	DESCRIPTION	QTY	REMARK
1	Z59YY12000	Cylinder liner	1	
2	0305016	Oil plug 1/4	1	
3	0305089	Seal support ring 65X15X5	1	
4	0212037	Seeger D.70	1	
5	Z59YY11002	Piston shaft	1	
6	0307022	Parachute valve	1	
7	0309127	O-ring 48.7X3.55	1	
8	0313081	Ring 55X49.5X1.5	1	
9	Z59YY11001	Shaft head	1	
10	Z59YY18001	Cylinder guiding cover	1	
11	0313080	Ring 90X95.5X1.5	1	
12	0309126	O-ring 90X3.55	1	
13	0305040	Guide ring 70X15X2.5	2	
14	0310048	Sealing ring 70X80X13	1	
15	0313079	Ring 70X80X2	1	
16	0311018	Scraper 70X80X6/8	1	
17	Z59YY10000-M	Hydraulic cylinder seal kit	1	



TAV.8	CONTROL PANEL	ED. 03/2021
-------	---------------	-------------

ITEM	PART NO.	DESCRIPTION	QTY	REMARK
1	0507507 0507539	CPU board	1	
2	0206054	Screw M3X8	17	
3	Z54YD51004	Insulating bush	7	
4	0507459 0507540	Control board	1	
5	0507461	Keypad board	1	
6	Z59YD21121W	Cover	1	
7	Z54YD51003	Keypad	1	
8	Z54YD51001	Control panel 2	1	
9	0502093	Key	1	
10	0590007	Handle	1	
11	0502025	Pushbutton	1	
12	0502024	Pushbutton LAY37T-10	3	
13	0502066	Emergency switch	1	
14	0502039	Normally close contactor	1	
15	Z59YD21002W	Mask	1	
16	0206009	Screw M3X6	8	
17	0504024	Fuse	1	
18	0504023	Fuse base	1	
19	Z59YD21111W	Lower box	1	
20	0502021	Beeper	1	
21	0507463	Socket	2	
22	Z59YD11101	Support	1	
23	0290003	Screw M4X8	4.	