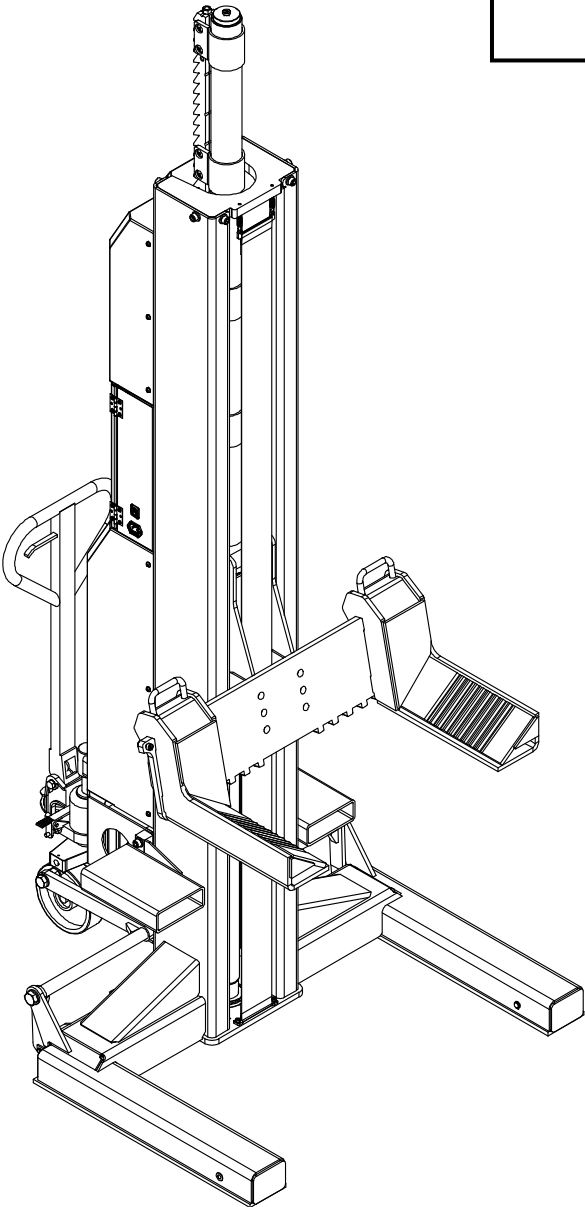
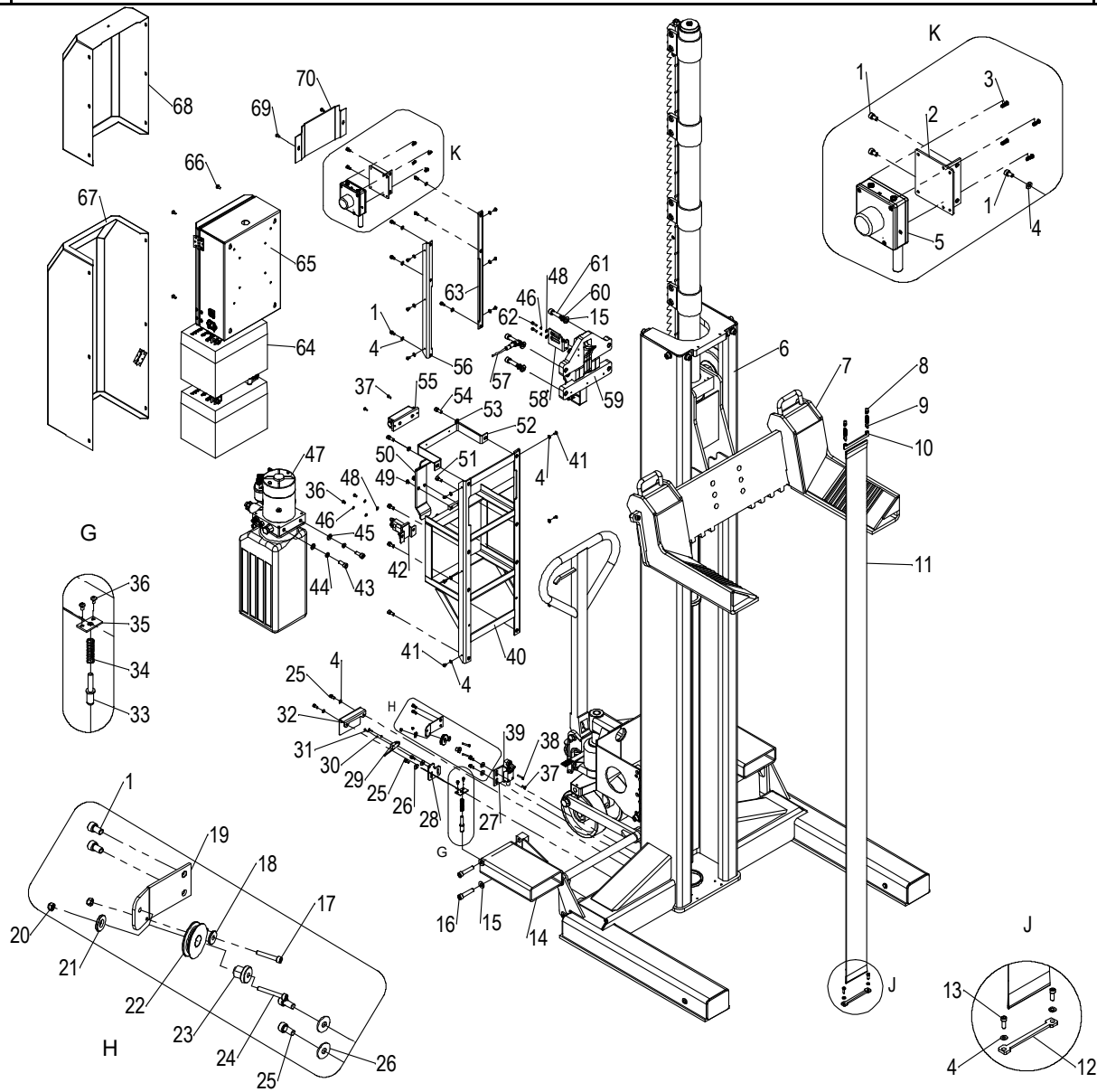


---

**WTTL5000W**





TAV.1	GENERAL BREAKDOWN	ED. 03/2021
-------	-------------------	-------------

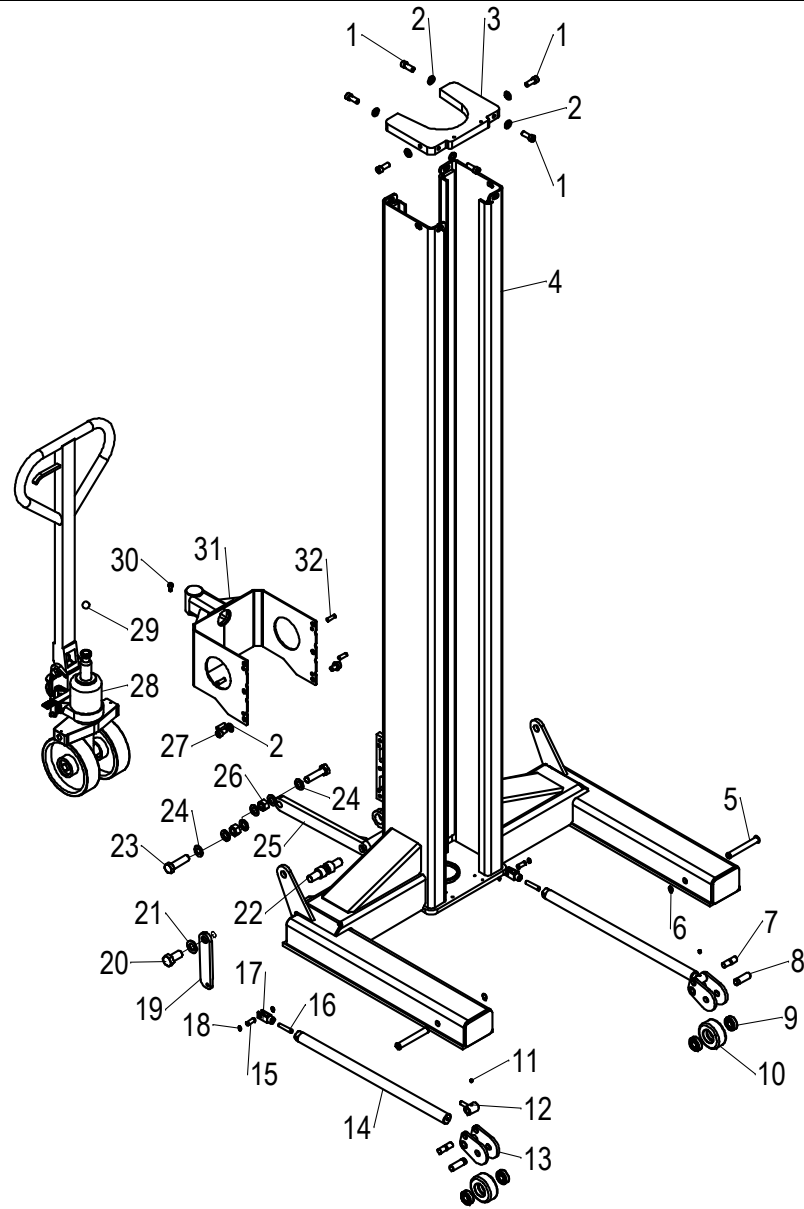
ITEM	PART NO.	DESCRIPTION	QTY	REMARK
1	0202030	Screw M6X10	10	
2	Z54Y000700W	Support	1	
3	0207058	Self-tapping screw ST3.5X16	4	
4	0205006	Washer D.6	22	
5	0507525	Synchronization sensor unit	1	
6	Z54Y100000W	Column assembly	1	
7	Z54Y600000W	Carriage assembly	1	
8	Z59Y000030	Spring bolt	2	
9	Z59Y000031	Spring	2	
10	Z54A000003	Screen holder	1	
11	Z54A000005	Front screen	1	
12	Z54A000004	Screen straining plate	1	
13	0202032	Screw M6X16	2	
14	Z54Y000300	Rear arm frame	2	
15	0205013	Washer D.12	8	
16	0202077	Screw M12X55	4	
17	0202005	Screw M4X25	1	
18	Z59Y000033W	Nylon wheel	1	
19	Z54Y000025W	Pulley support	1	
20	0204001	Nut M4	2	
21	Z54Y000050W	Spacer	1	
22	Z54Y000023W	Nylon pulley	1	
23	Z54Y000024W	Pulley shaft	1	
24	0202012	Screw M4X30	1	
25	0202024	Screw M6X12	6	
26	0205007	Washer D.6	4	
27	Z54Y000026W	Switch support	1	

TAV.1	GENERAL BREAKDOWN	ED. 03/2021
-------	-------------------	-------------

				REMARK
28	Z59Y000044W	Switch support	1	
29	0505014	Micro switch	1	
30	0205001	Spring washer D.3	3	
31	0206002	Screw M3X16	2	
32	Z59Y000038W	Switch cover	1	
33	Z59Y000042W	Pin	1	
34	Z59Y000045W	Spring	1	
35	Z59Y000043W	Pin cover	1	
36	0206030	Screw M5X8	4	
37	0206013	Screw M4X12	3	
38	0206017	Screw M4X25	1	
39	0505020	Limit switch 8104	1	
40	Z54Y000400W	Frame	1	
41	0206083	Screw M5x8	12	
42	0501097	Contacto	1	
43	0202061	Screw M10X25	2	
44	0208007	Spring washer D.10	2	
45	0205011	Washer D.10	2	
46	0208003	Spring washer D.5	4	
47	0302022	Hydraulic power unit	1	
48	0205004	Washer D.5	4	
49	0207010	Screw M6X10	2	
50	Z54Y000035W	Fastening plate	1	
51	0202040	Screw M8X16	6	
52	Z54Y000027W	Support	1	
53	0205008	Washer D.8	3	

TAV.1	GENERAL BREAKDOWN	ED. 03/2021
-------	-------------------	-------------

54	0202045	Screw M8X20	2
55	05040027/28	Fuse 250A	1
56	Z54Y000034W	Support	1
57	0505064	Proximity switch	1
58	Z54Y000013W	Support	1
59	Z54Y300000W	Safety device	1
60	0208009	Spring washer D.12	4
61	0202076	Screw M12X40	4
62	0202018	Screw M5X18	2
63	Z54Y000036W	Support	1
64	0508410	Battery	2
65	Z54YD50000	Control panel	1
66	0206031	Screw M6X10	4
67	Z54Y000031W	Lower cover	1
68	Z54Y000030W	Upper cover	1
69	0206050	Screw M6X10	2
70	Z54Y000040W	Cover	1



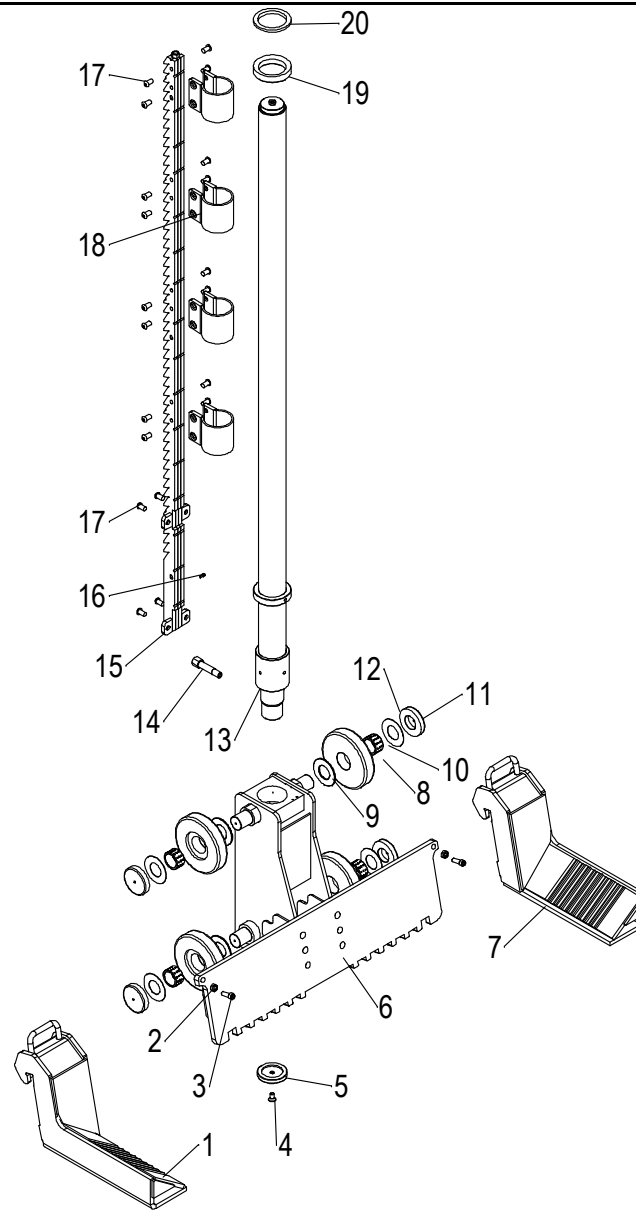
TAV.2	COLUMN ASSEMBLY	ED. 03/2021
-------	-----------------	-------------

ITEM	PART NO.	DESCRIPTION	QTY	REMARK
1	0202090	Screw M12X30	6	
2	0205013	Washer D.12	8	
3	Z54Y100001	Column top cover	1	
4	Z54Y110000W	Column	1	
5	Z54Y130000	Pivot	2	
6	0212015	Seeger D.15	2	
7	Z59A100009	Pin	2	
8	Z59A100010	Wheel shaft	2	
9	0214016	Bearing 6203	4	
10	Z59A100013	Nylon wheel D.80	2	
11	0209030	Screw M6X8	4	
12	Z54Y120000	Connection bush	2	
13	Z59A130000	Wheel support	2	
14	Z54Y100002	Support arm	2	
15	Z54Y100004	Pin	2	
16	Z54Y100005	Thread pin M10	2	
17	Z54Y100003	Connection joint	2	
18	0212013	Seeger D.10	4	
19	Z54Y160000	Right jack connection frame	1	
20	0201152	Screw M20X40	2	
21	0205022	Washer D.20	2	
22	0202146	Screw M20X30	2	
23	0201128	Screw M18X65	2	
24	0205021	Washer D.18	6	
25	Z54Y140000	Left jack connection frame	1	
26	0203015	Nut M18	2	
27	0202070	Screw M12X20	2	

TAV.2	COLUMN ASSEMBLY	ED. 03/2021
-------	-----------------	-------------

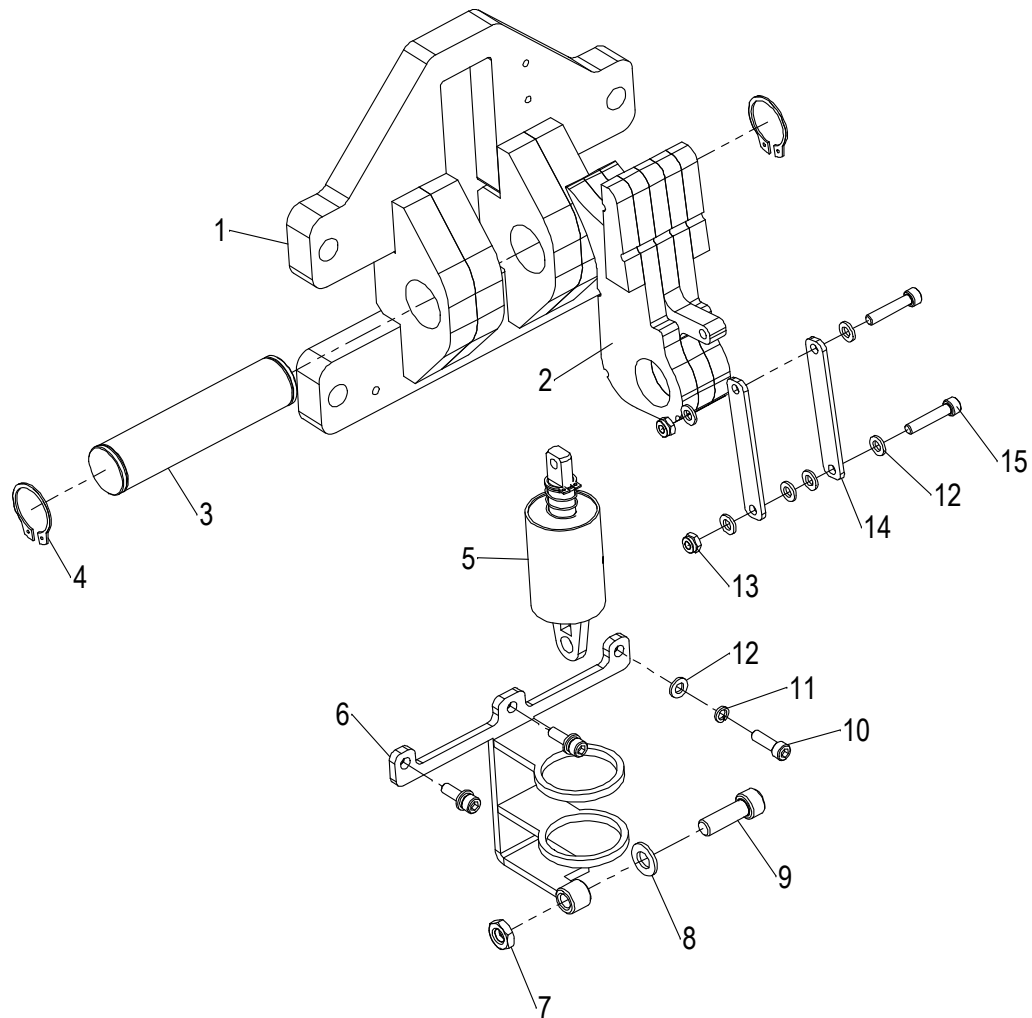
28	0313060	Hydraulic mobile jack TC-200	1
29	0215077	Steel ball D.20	1
30	0202045	Screw M8X20	1
31	Z54Y150000W	Mobile jack support	1
32	0213162	Pin 10X30	4





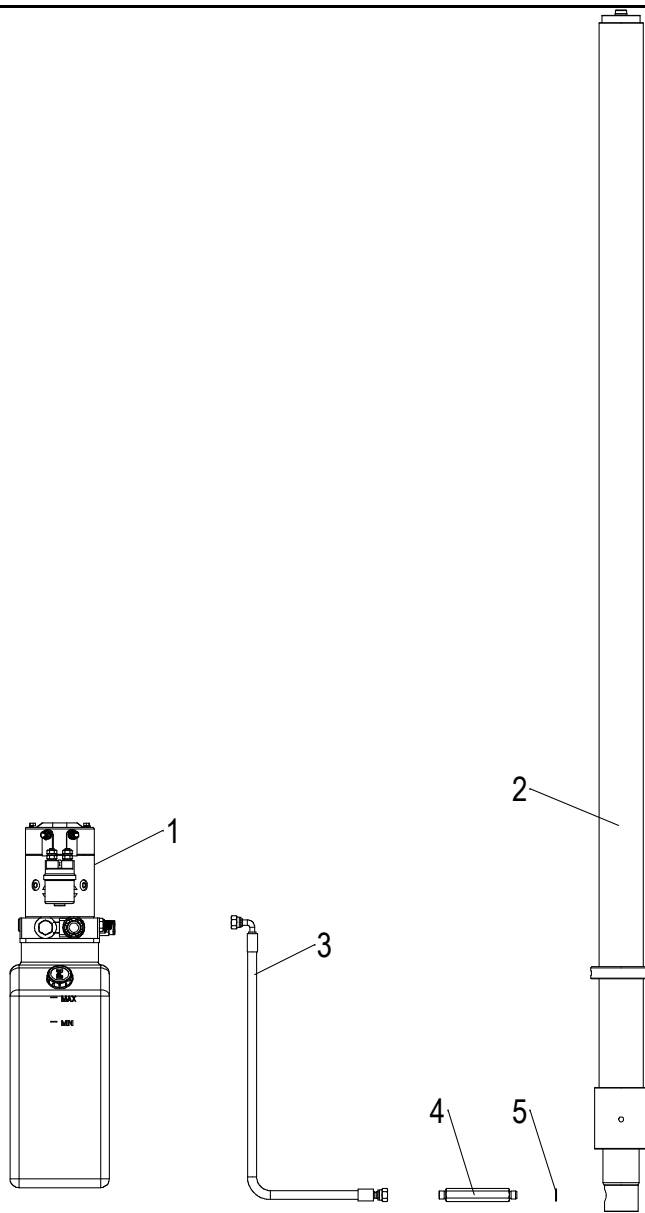
TAV.3	CARRIAGE	ED. 03/2021
-------	----------	-------------

ITEM	PART NO.	DESCRIPTION	QTY	REMARK
1	Z54Y630000	Left lifting arm	1	
2	0204005	Nut M10	2	
3	0202062	Screw M10X30	2	
4	0207023	Screw M10X20	1	
5	Z54Y200012	Cylinder head protection	1	
6	Z54Y610000	Carriage	1	
7	Z54Y620000	Right lifting arm	1	
8	Z54Y200001	Carriage wheel	4	
9	Z54Y200002	Washer	4	
10	Z54Y200003	Bush bearing	4	
11	Z54Y200006	Nylon slider	4	
12	Z59A200003	Spacer	4	
13	Z54YY10000	Hydraulic cylinder	1	
14	0303131	Union	1	
15	Z54Y240000W	Safety rack	1	
16	0202022	Screw M4X10	1	
17	0206065	Screw M12X20	20	
18	Z54Y220000	Cylinder clamp	4	
19	Z54Y200011	Cylinder spacer 1	1	
20	Z54Y200010	Cylinder spacer 2	1	



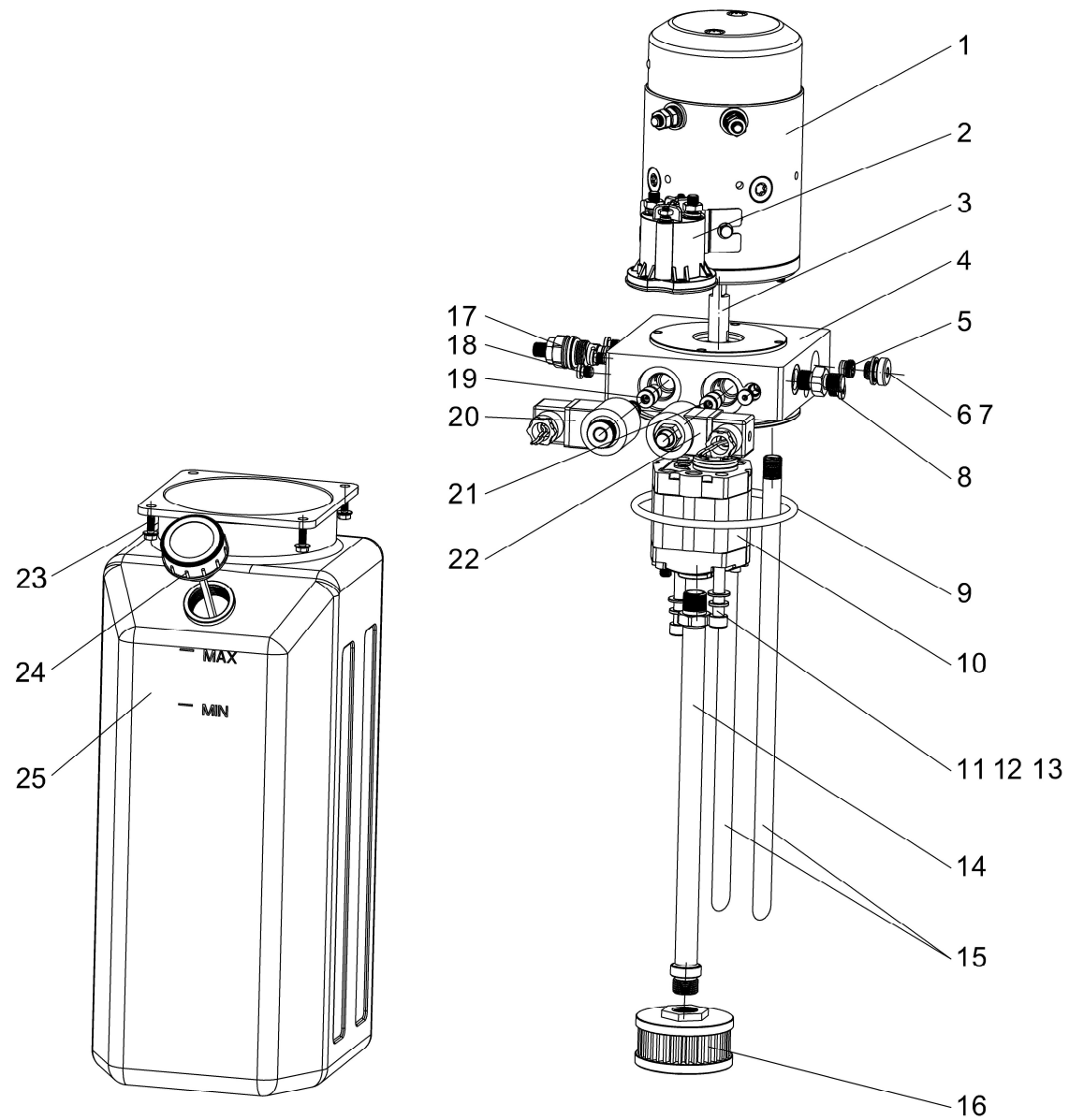
TAV.4	SAFETY DEVICE	ED. 03/2021
-------	---------------	-------------

ITEM	PART NO.	DESCRIPTION	QTY	REMARK
1	Z54Y310000W	Safety support	1	
2	Z54Y320000	Safety hook	1	
3	Z54Y300001	Safety shaft	1	
4	0212021	Seeger D.30	2	
5	0505082	Electromagnet BML-1(DC24V)-40W	1	
6	Z54Y330000	Electromagnet support	1	
7	0204012	Nut M10	1	
8	0205011	Washer D.10	1	
9	0202062	Screw M10X30	1	
10	0202033	Screw M6X20	3	
11	0208005	Spring washer D.6	3	
12	0205006	Washer D.6	9	
13	0204003	Nut M6	2	
14	Z54Y300002	Connection plate	2	
15	0202026	Screw M6X30	2	



TAV.5	HYDRAULIC SYSTEM	ED. 03/2021
-------	------------------	-------------

ITEM	PART NO.	DESCRIPTION	QTY	REMARK
1	0302022	Hydraulic power unit	1	
2	Z54YY10000	Hydraulic cylinder	1	
3	ZW760	Hydraulic hose L=760	1	
4	0303131	Union 1B-04-T105	1	
5	0313001	Washer BS/A13.70	1	

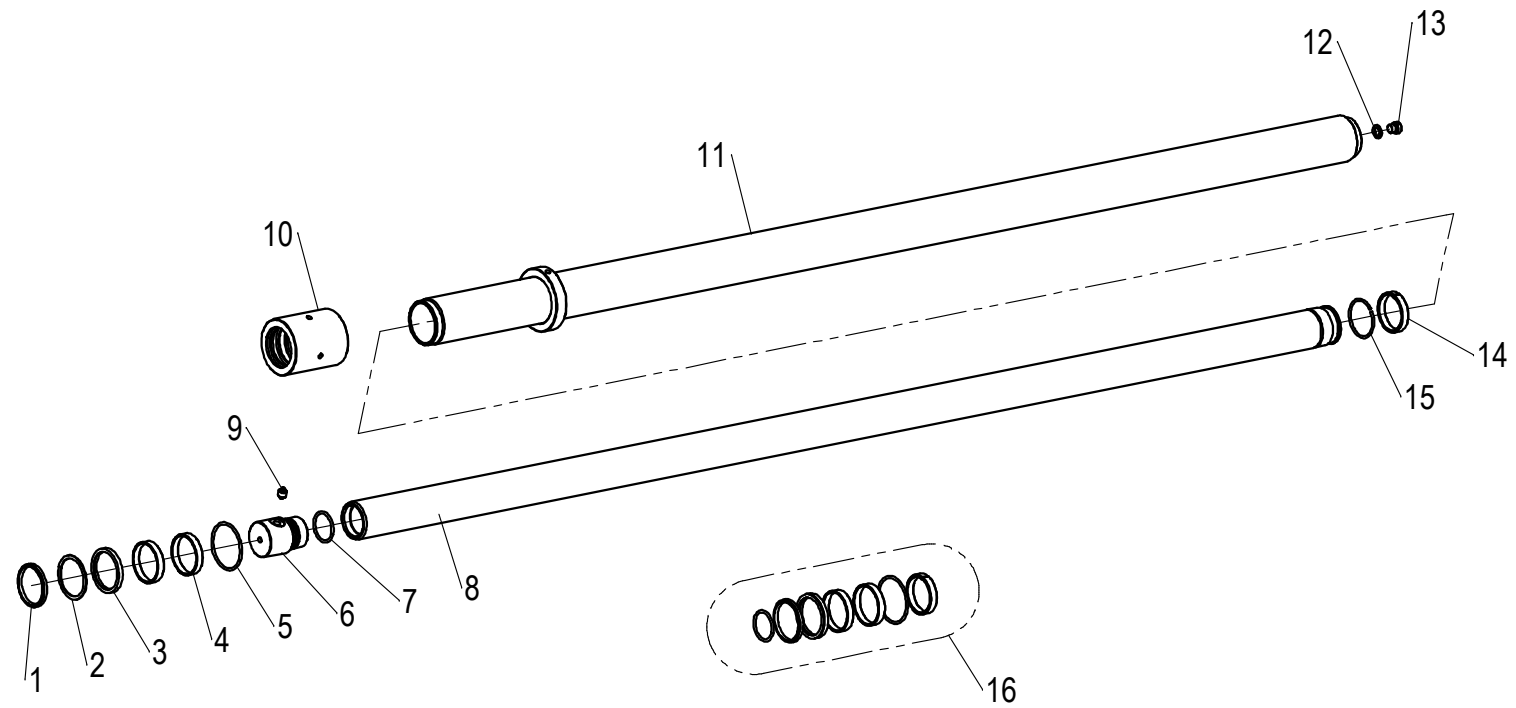


TAV.6	HYDRAULIC POWER UNIT	ED. 03/2021
-------	----------------------	-------------

ITEM	PART NO.	DESCRIPTION	QTY	REMARK
1	0302022-1	Motor 24V/2.2KW	1	
2	0302022-2	Switch 24VDC	1	
3	0302022-3	Coupling 43.5mm	1	
4	0302022-4	Manifold	1	
5	0302022-5	Check valve	1	
6	0302022-6	Seal 14A	1	
7	0302022-7	Plug	1	
8	0302022-8	Union SAE6#-G1/4	1	
9	0302022-9	O-ring 109x5.3	1	
10	0302022-10	Gear pump 1.6cc/r	1	
11	0302022-11	Spring washer D.8	2	
12	0302022-12	Washer D.8	2	
13	0302022-13	Screw M8x80	2	
14	0302022-14	Oil suction pipe 350mm	1	
15	0302022-15	Oil return pipe 396mm	2	
16	0302022-16	Oil filter	1	
17	0302022-17	Relief valve	1	
18	0302022-18	Plug	6	
19	0302022-19	Balancer valve	1	
20	0302022-20	Solenoid valve 24VDC	1	
21	0302022-21	Balancer valve	1	
22	0302022-22	Solenoid valve 24VDC	1	
23	0302022-23	Screw M5x12	4	
24	0302022-24	Oil level plug	1	
25	0302022-25	Oil tank	1	

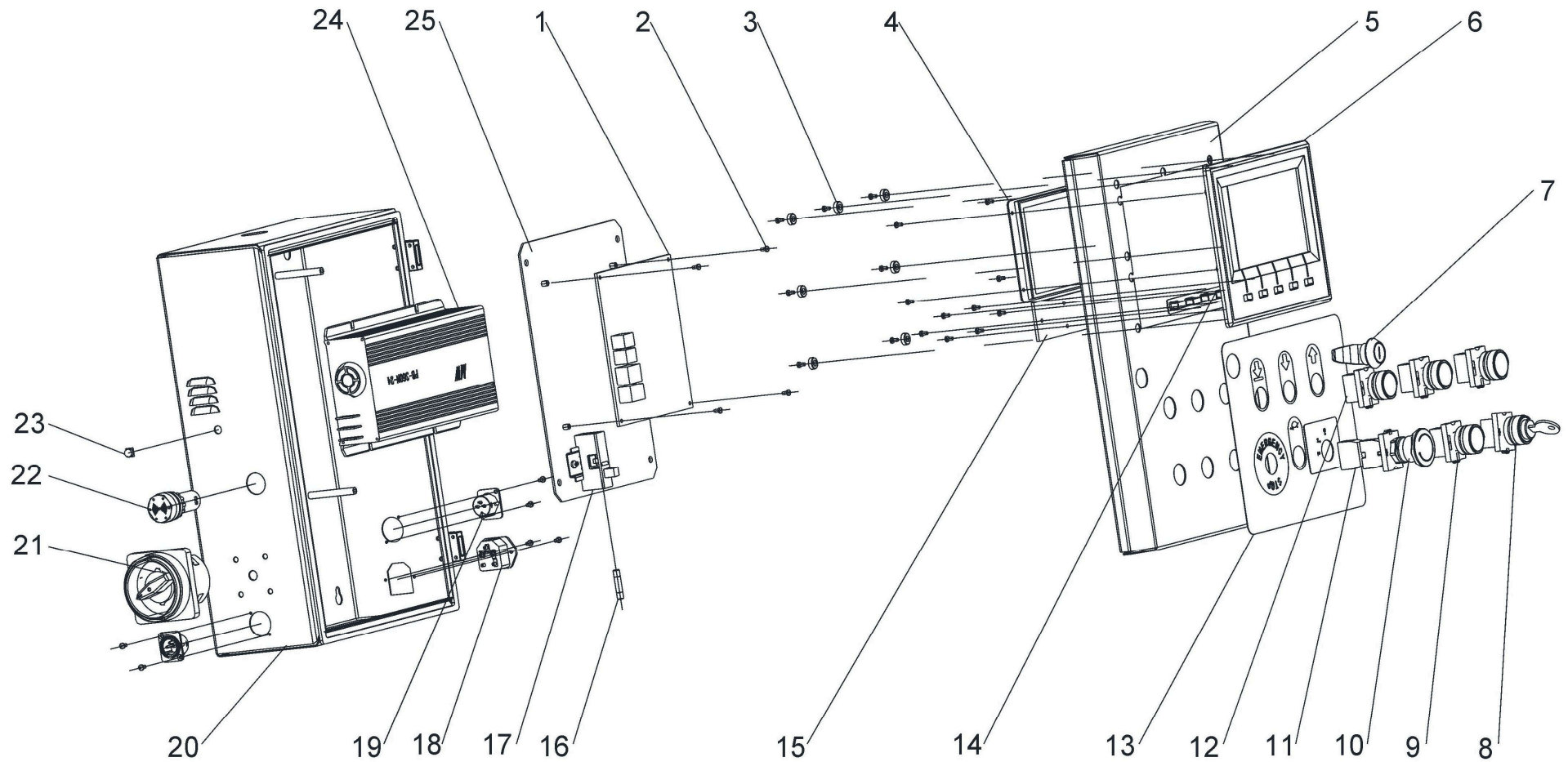


TAV.7	HYDRAULIC CYLINDER	ED. 03/2021
-------	--------------------	-------------



TAV.7	HYDRAULIC CYLINDER	ED. 03/2021
-------	--------------------	-------------

ITEM	PART NO.	DESCRIPTION	QTY	REMARK
1	J53CY81000	Cylinder liner	1	
2	0212007	Seeger D.32	1	
3	J53CY88004	Piston	1	
4	0312016	Gasket 80X60X22.4	1	
5	0309115	O-ring 38X3.1	1	
6	J53CY88003	Piston rod	1	
7	J53CY88002	Cylinder guiding cover	1	
8	0305040	Guide ring 50X15X2.5	1	
9	0311010	Scraper 50X58X5	1	
10	0307125	Lowering speed control valves	1	
11	J53CY80000-M	Hydraulic cylinder seal kit	1	



TAV.8	CONTROL PANEL			ED. 03/2021
-------	---------------	--	--	-------------

ITEM	PART NO.	DESCRIPTION	QTY	REMARK
1	<del>0507507</del> 0507539	CPU board	1	
2	0206009	Screw M3X6	31	
3	Z54YD51004	Insulating bush	7	
4	<del>0507459</del> 0507540	Control board	1	
5	Z54YD51121	Cover	1	
6	Z54YD51001	Control panel 2	1	
7	0590007	Handle	1	
8	0502093	Key	1	
9	0502025	Pushbutton	1	
10	0502066	Emergency switch	1	
11	0502039	Normally close contactor.	1	
12	0502024	Pushbutton LAY37T-10	3	
13	Z54YD52201	Mask	1	
14	Z54YD51003	Keypad	1	
15	0507461	Keypad board	1	
16	0504024	Fuse	1	
17	0504023	Fuse base	1	
18	0506720	Flash cable	1	
19	0507463	Socket	2	
20	Z54YD52121	Lower box	1	
21	0505028	Power switch 20A	1	
22	0502021	Beeper	1	
23	0508007	Indicator cover	1	
24	0508386	Charger	1	
25	Z54YD52101	Support	1	