



ELECTRO-HYDRAULIC 4-POST PARKING LIFT

P436.CE
ASSEMBLY MANUAL

Ver.20.1.9



CAUTION

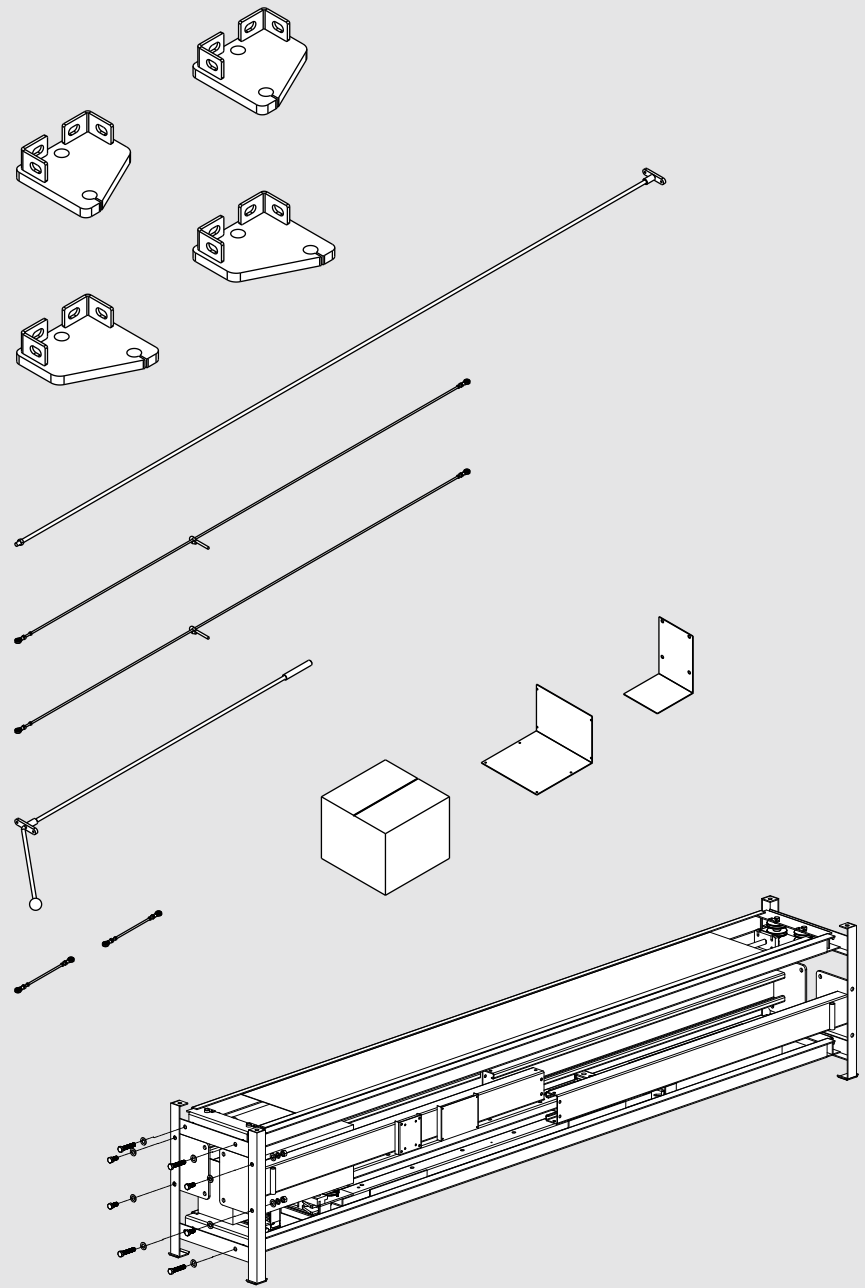
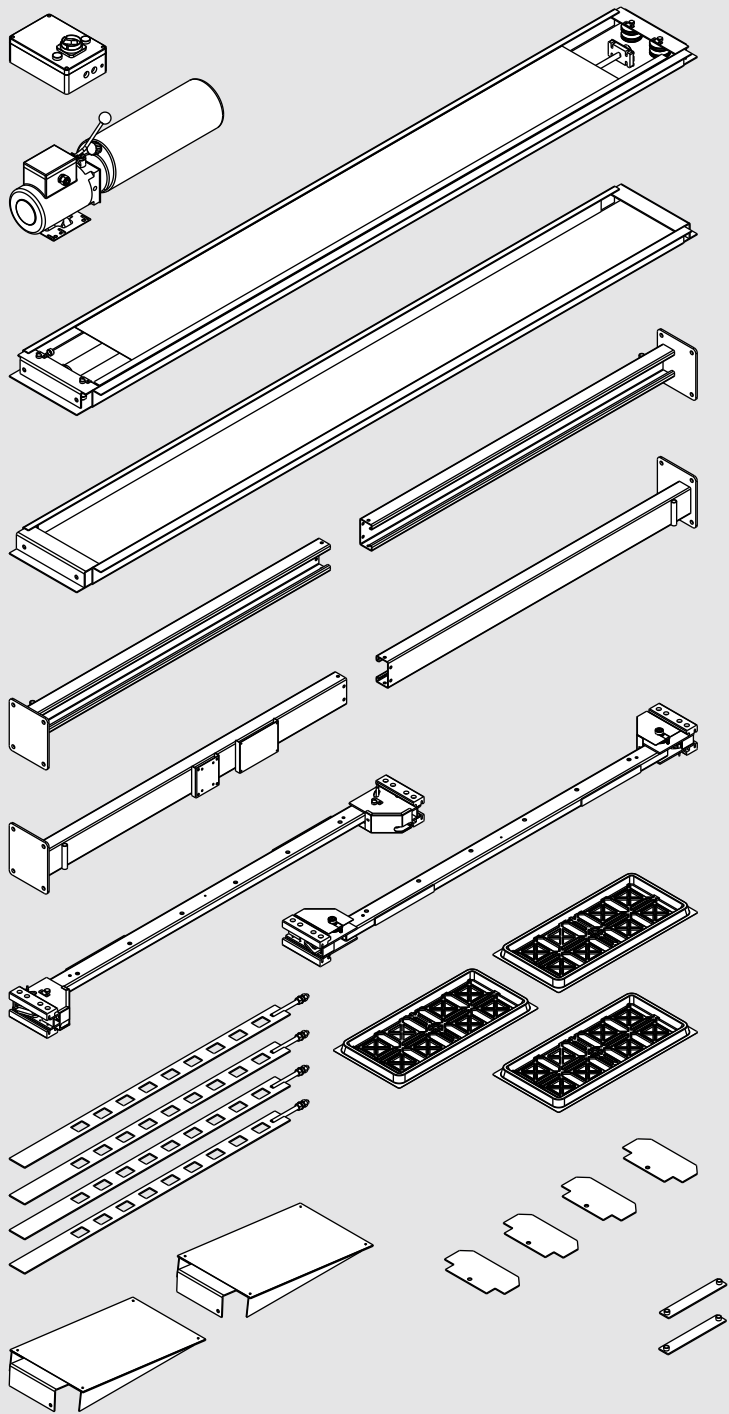
This manual has been prepared for workshop personnel expert in the use of the lift (operator) and technicians responsible for routine maintenance (Maintenance fitter).

This manual must be read with User's Manual.

The lifting, transport, unpacking, assembly, installation, starting up, initial adjustment and testing, extraordinary maintenance, repair, overhauls, transport and dismantling of the lift must be performed by specialized personnel from the licensed dealer or a service center authorized by the manufacturer.

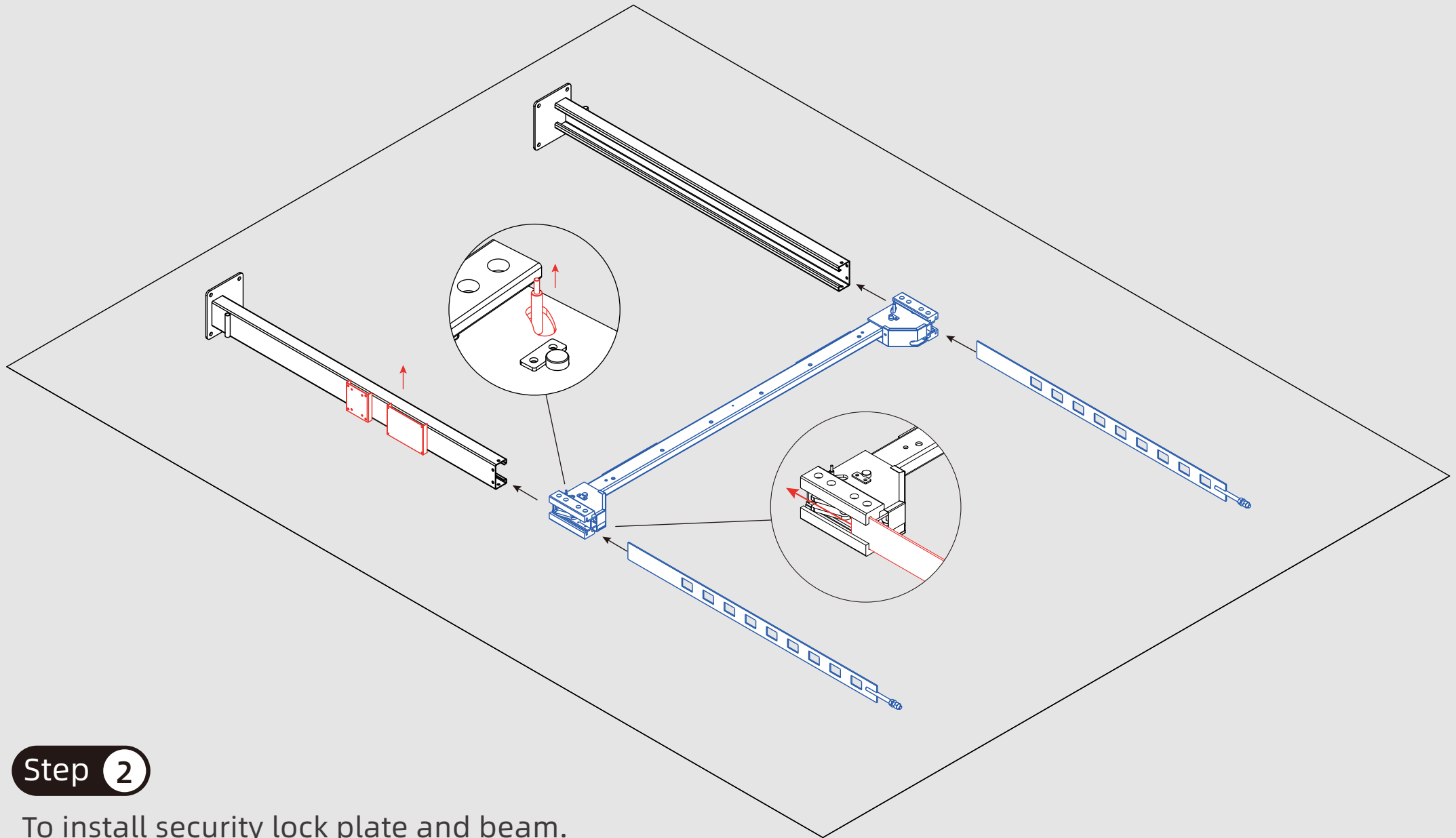
ALL PACKING, LIFTING, HANDLING, TRANSPORT AND UNPACKING OPERATIONS ARE TO BE PERFORMED EXCLUSIVELY BY EXPERT PERSONNEL.

SKILLED AND AUTHORIZED PERSONNEL ONLY SHOULD BE ALLOWED TO PERFORM THESE OPERATIONS, FOLLOW ALL INSTRUCTIONS SHOWN BELOW CAREFULLY, IN ORDER TO PREVENT POSSIBLE DAMAGE TO THE CAR LIFT OR RISK OF INJURY TO PEOPLE. BE SURE THAT THE OPERATING AREA IS CLEARED OF PEOPLE.



Step 1

To disassembly the package and remove all components and accessories.

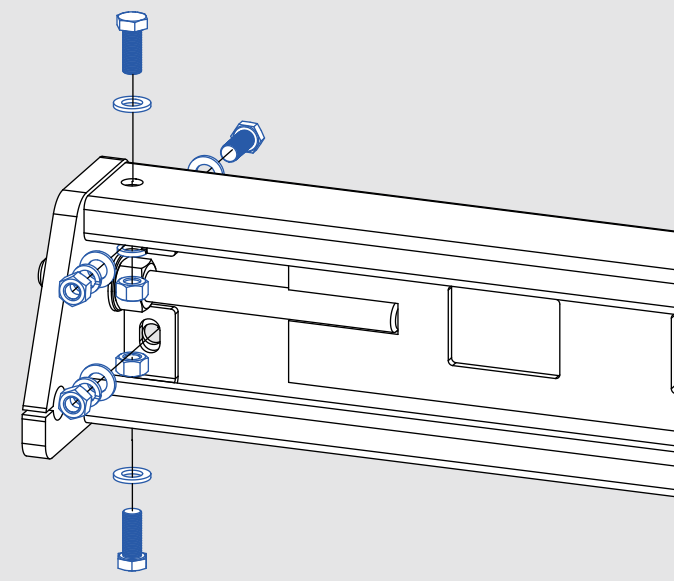
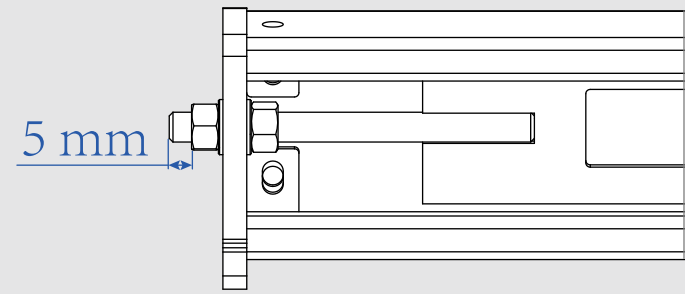
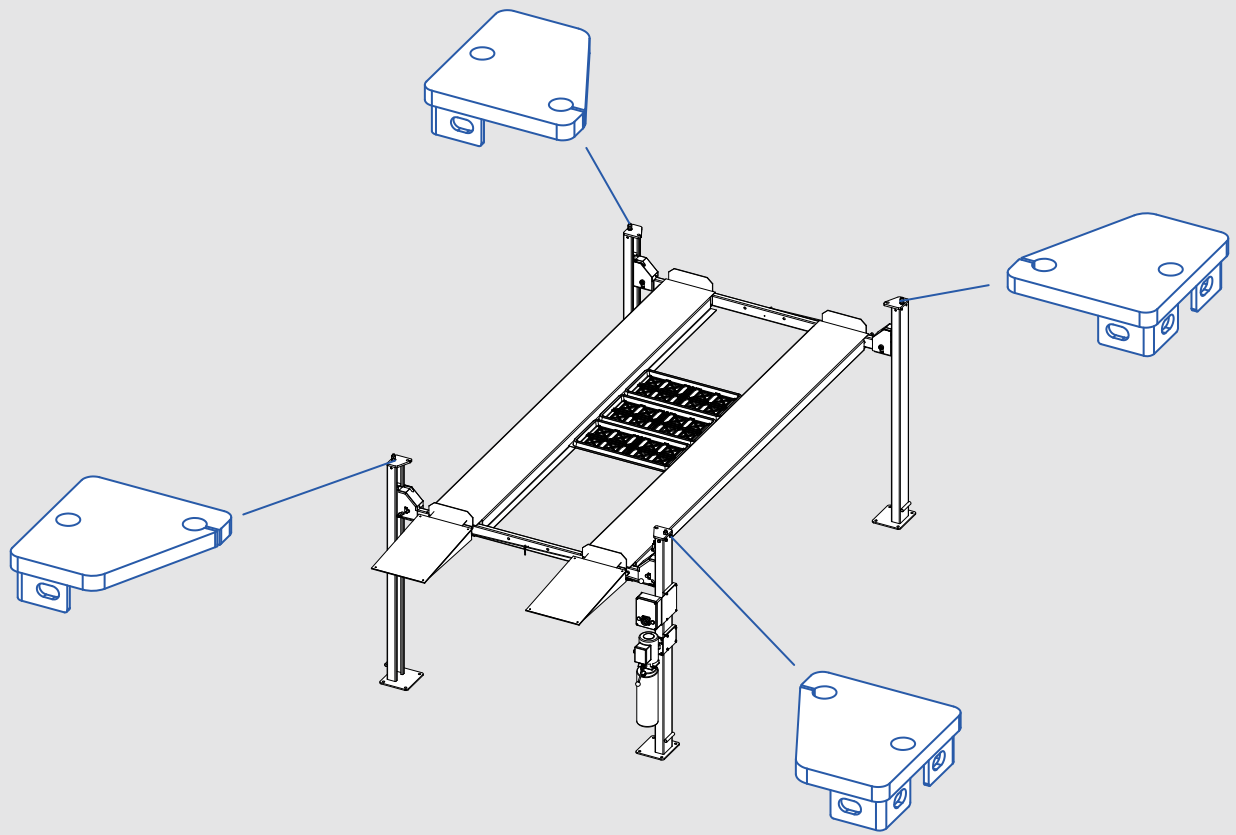
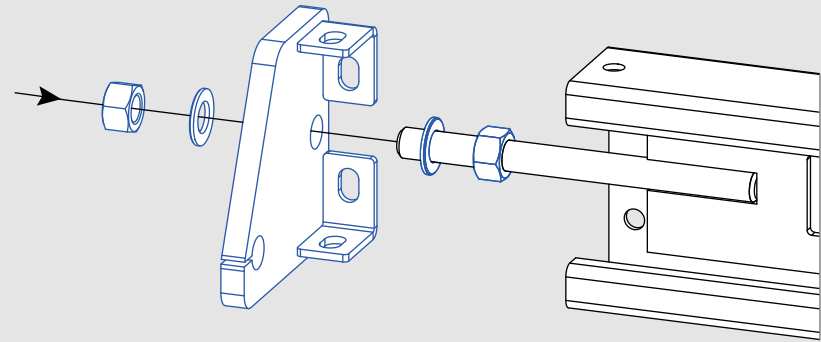


Step 2

To install security lock plate and beam.
make slide block of beam assembly from the top of column slide into column.
Pay attention to the direction of the column and beam.

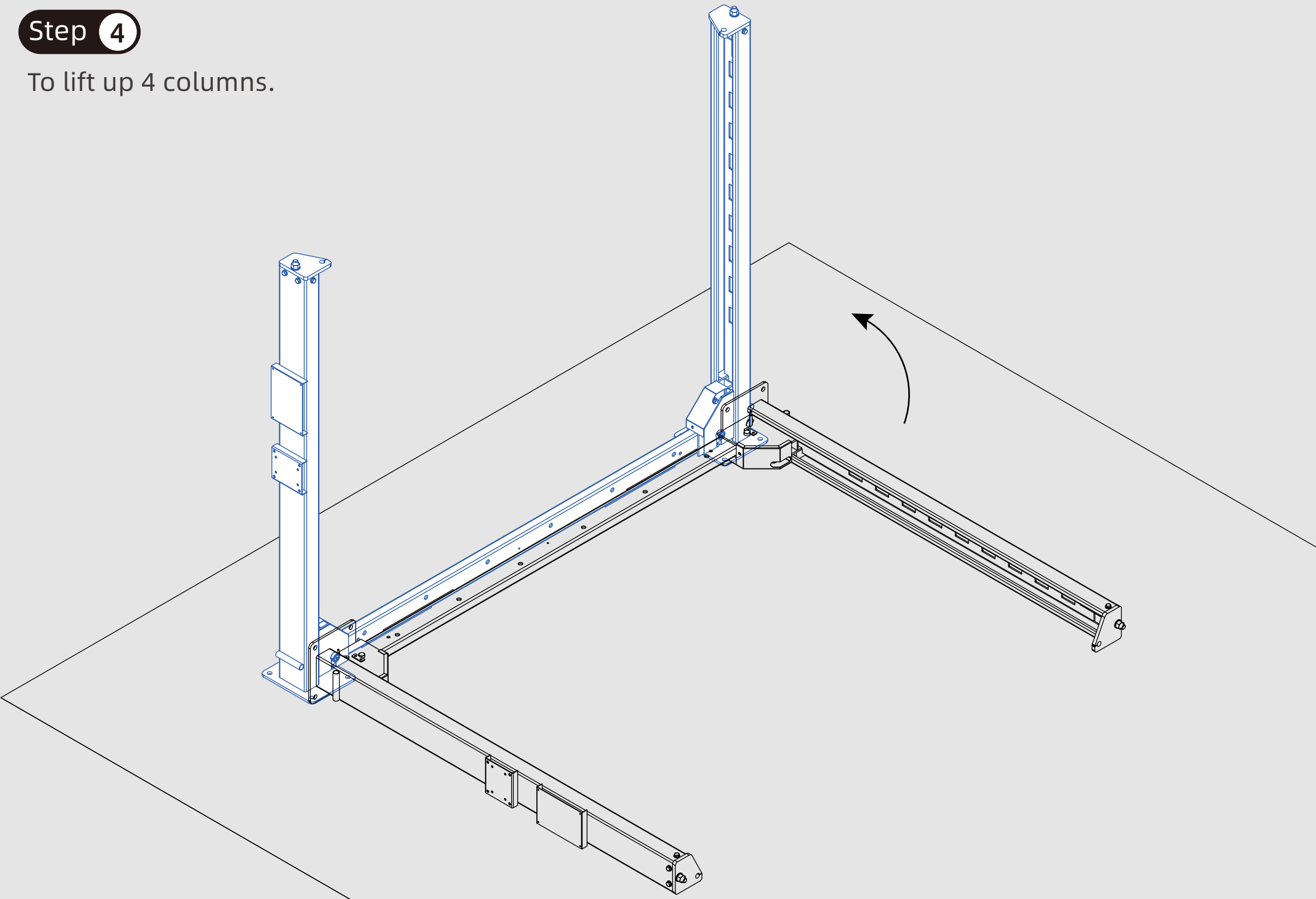
Step 3

To install the lock plate to the top plate with washers and nuts.
To install the top plate to the columns.
Pay attention to the direction of the top plate.



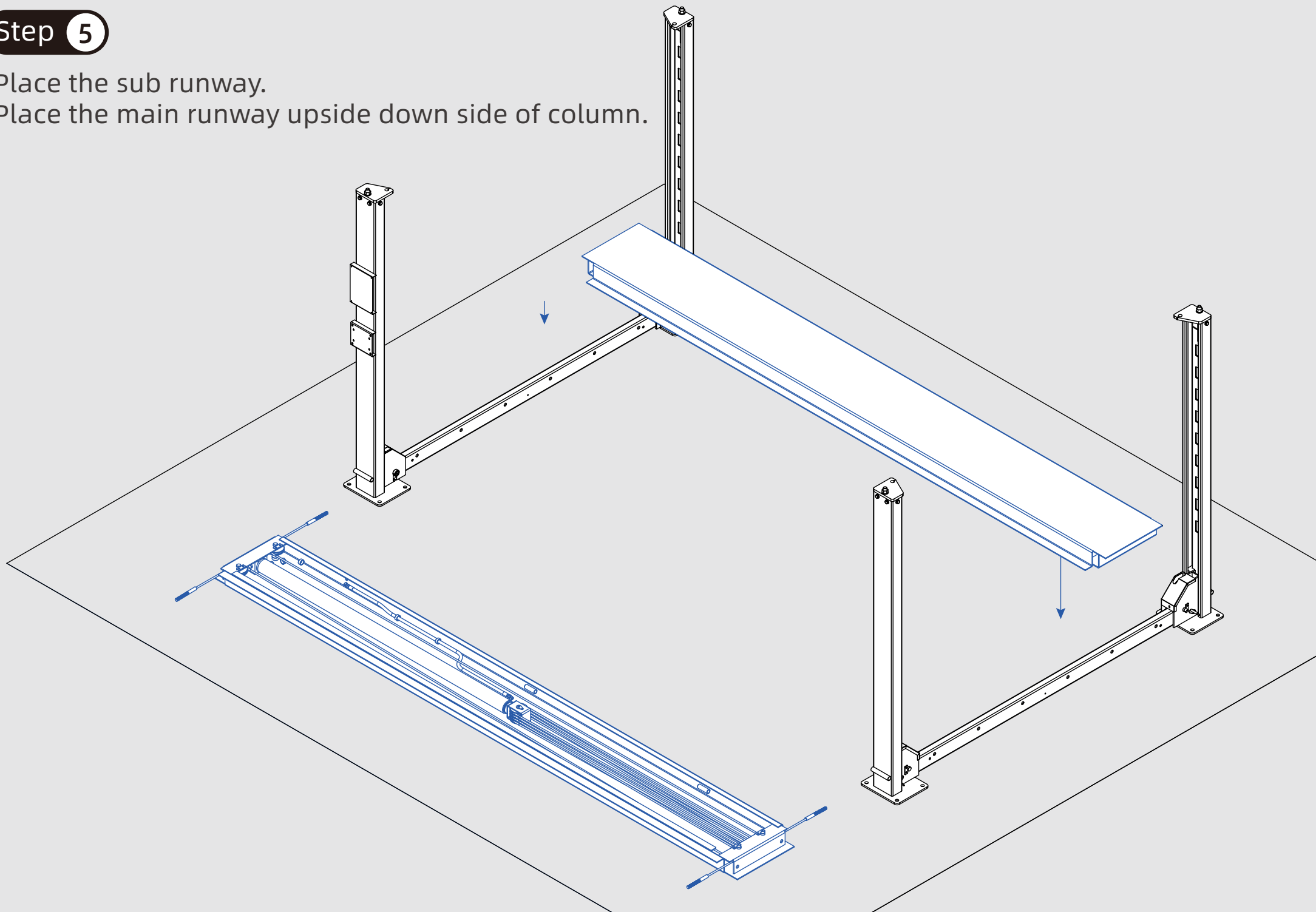
Step 4

To lift up 4 columns.



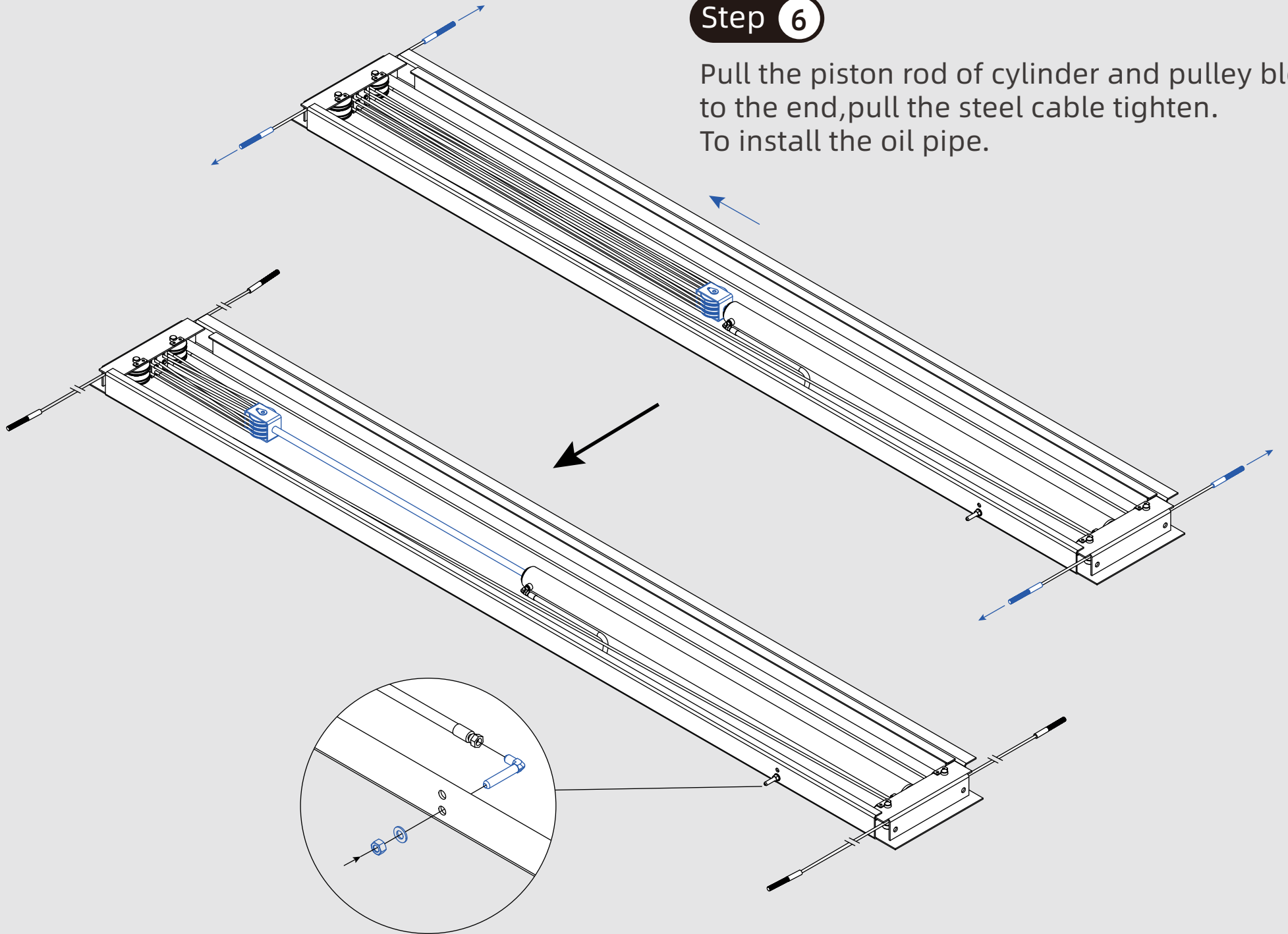
Step 5

Place the sub runway.
Place the main runway upside down side of column.



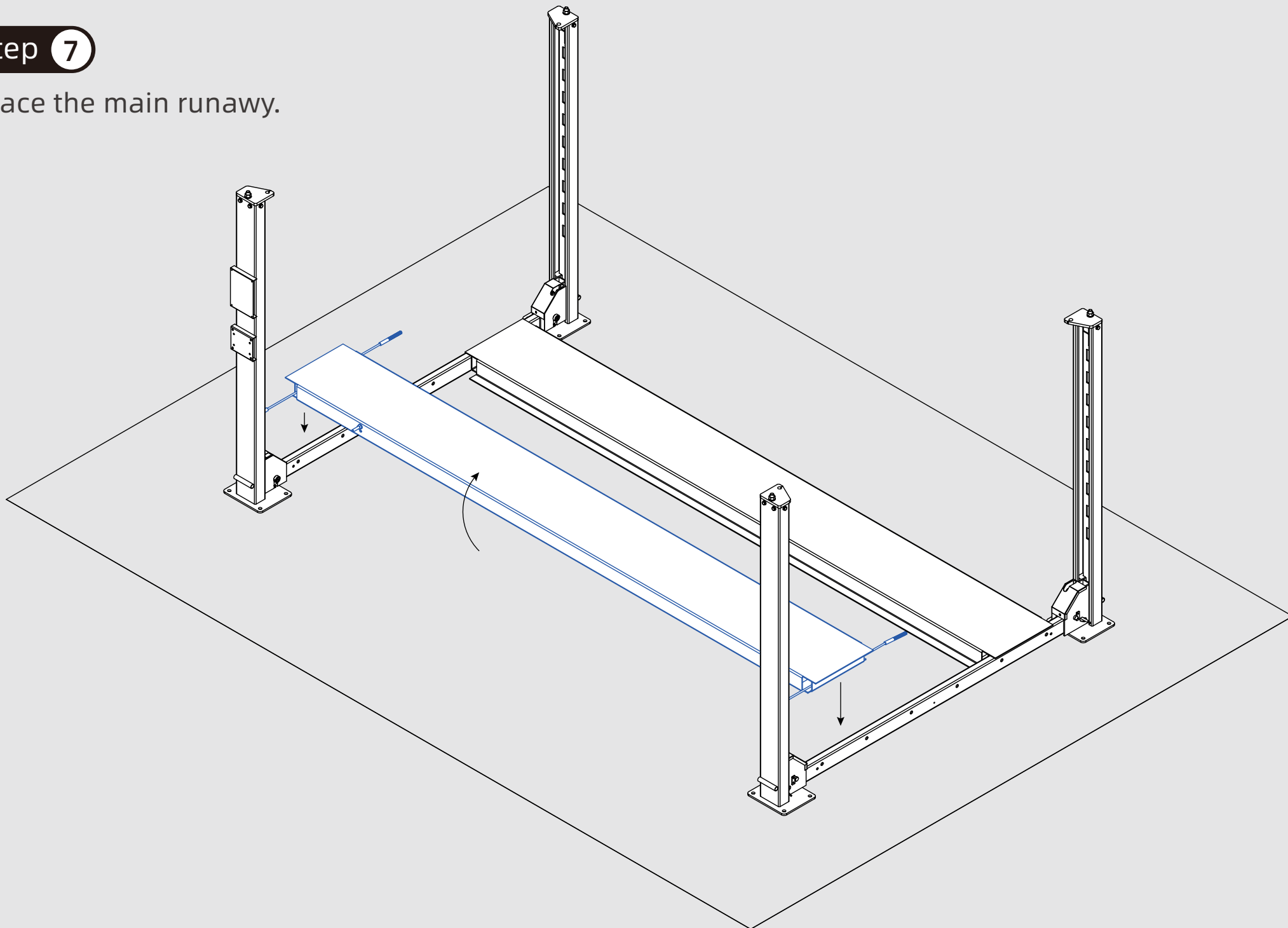
Step 6

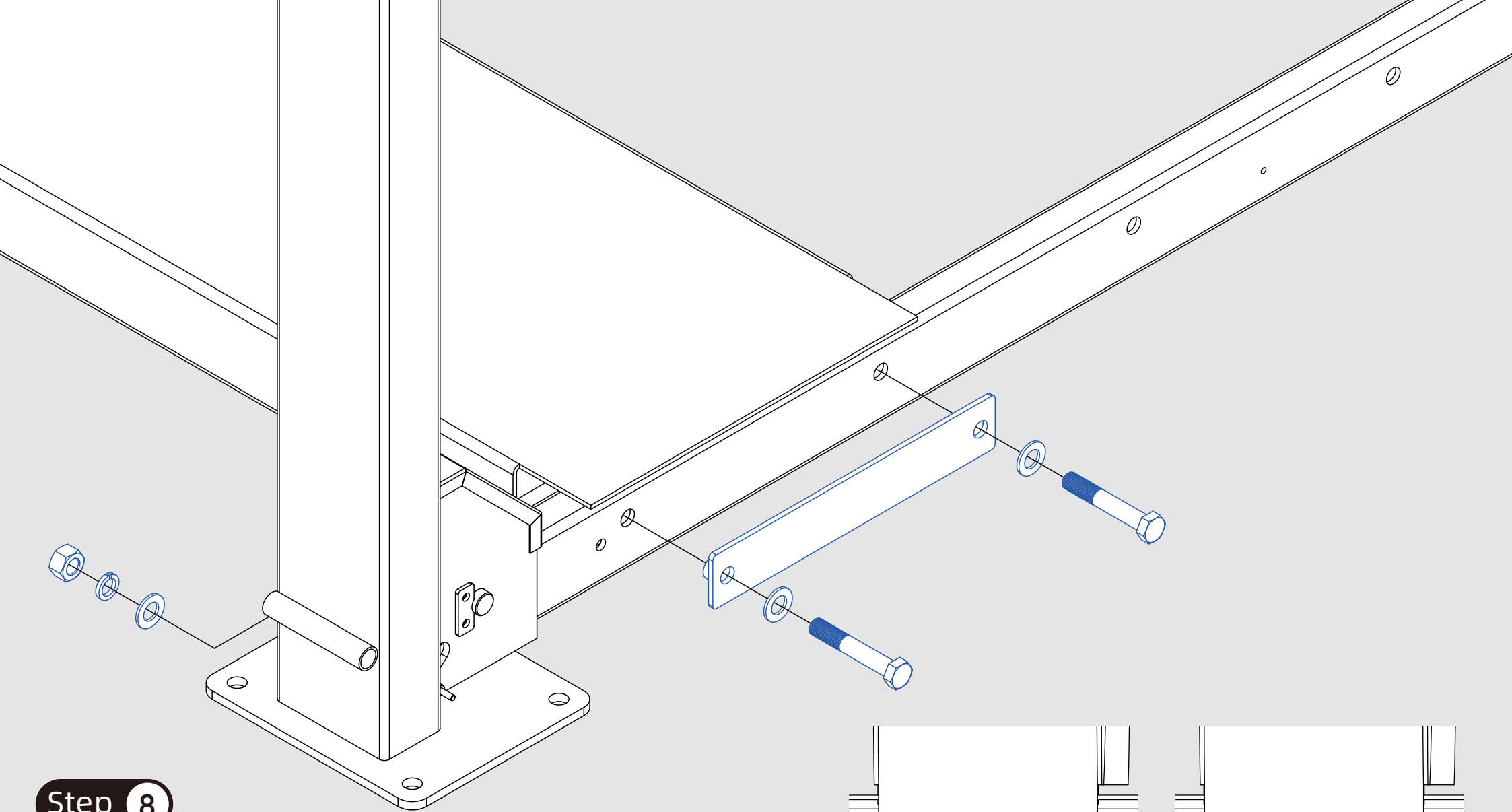
Pull the piston rod of cylinder and pulley block to the end, pull the steel cable tighten. To install the oil pipe.



Step 7

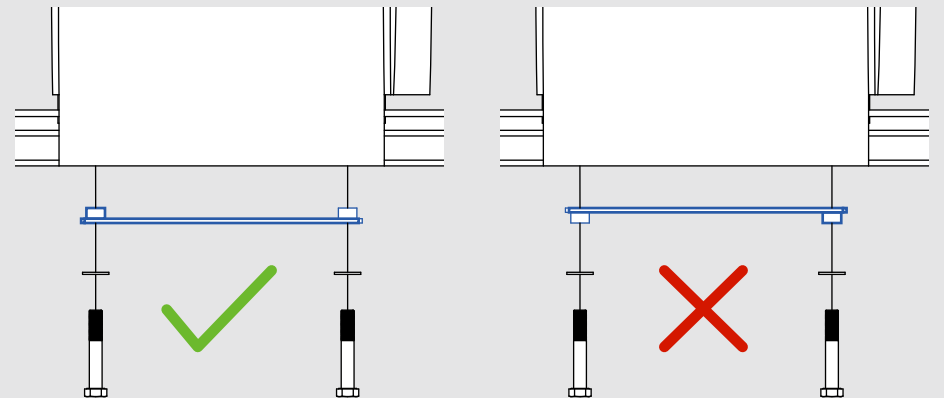
Place the main runway.





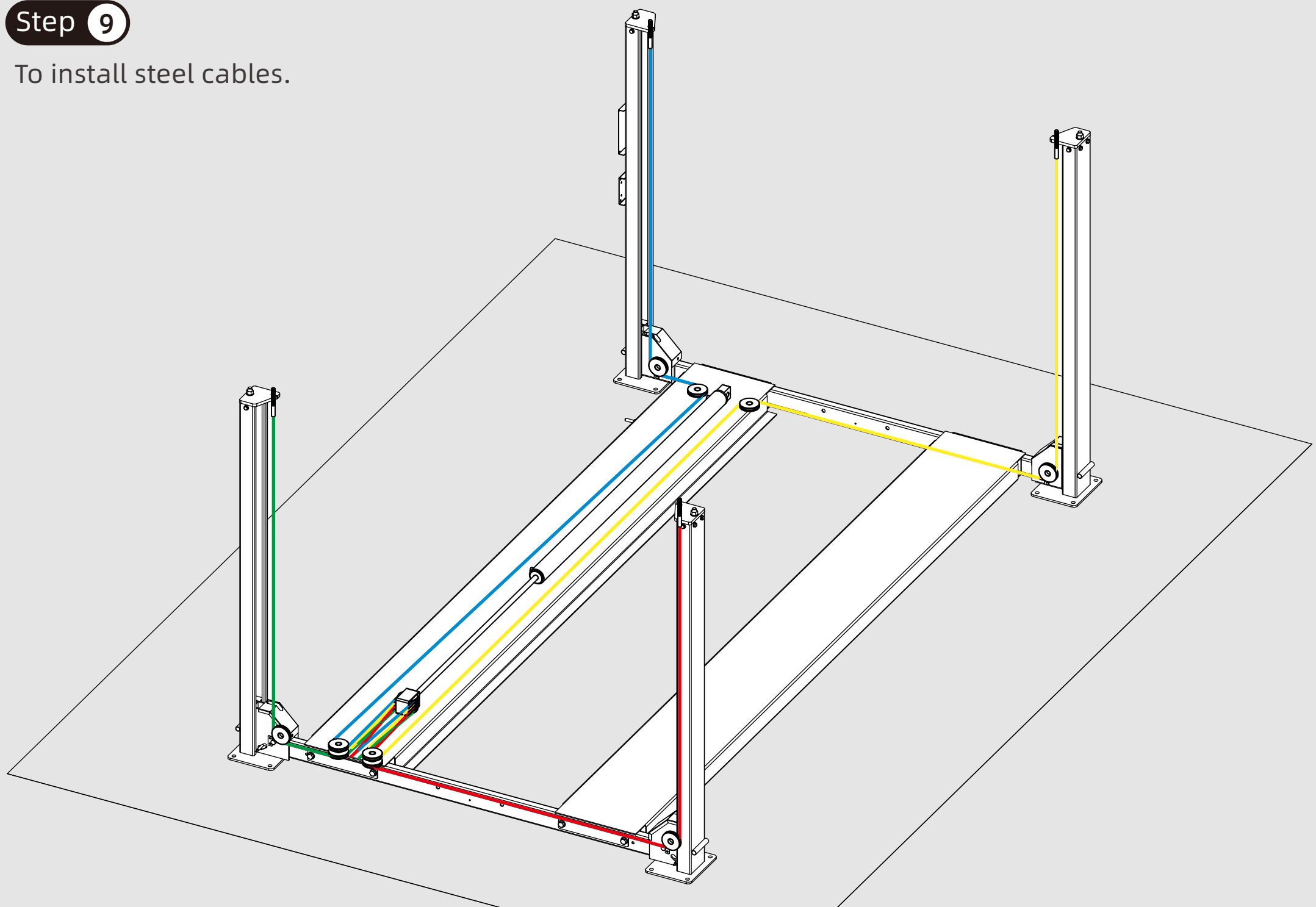
Step 8

To fix the bottom plates and runways to the beam with bolts and washers.



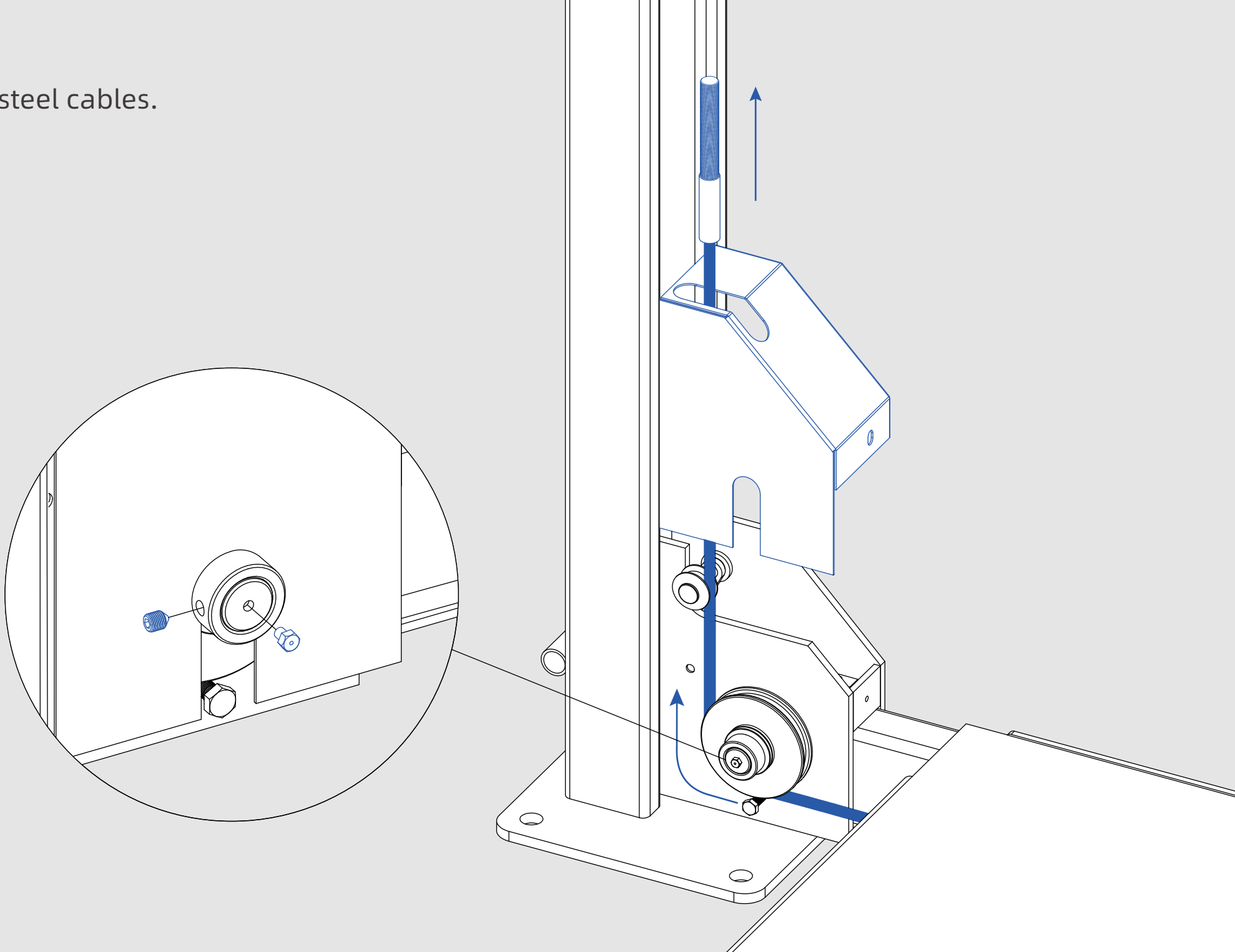
Step 9

To install steel cables.



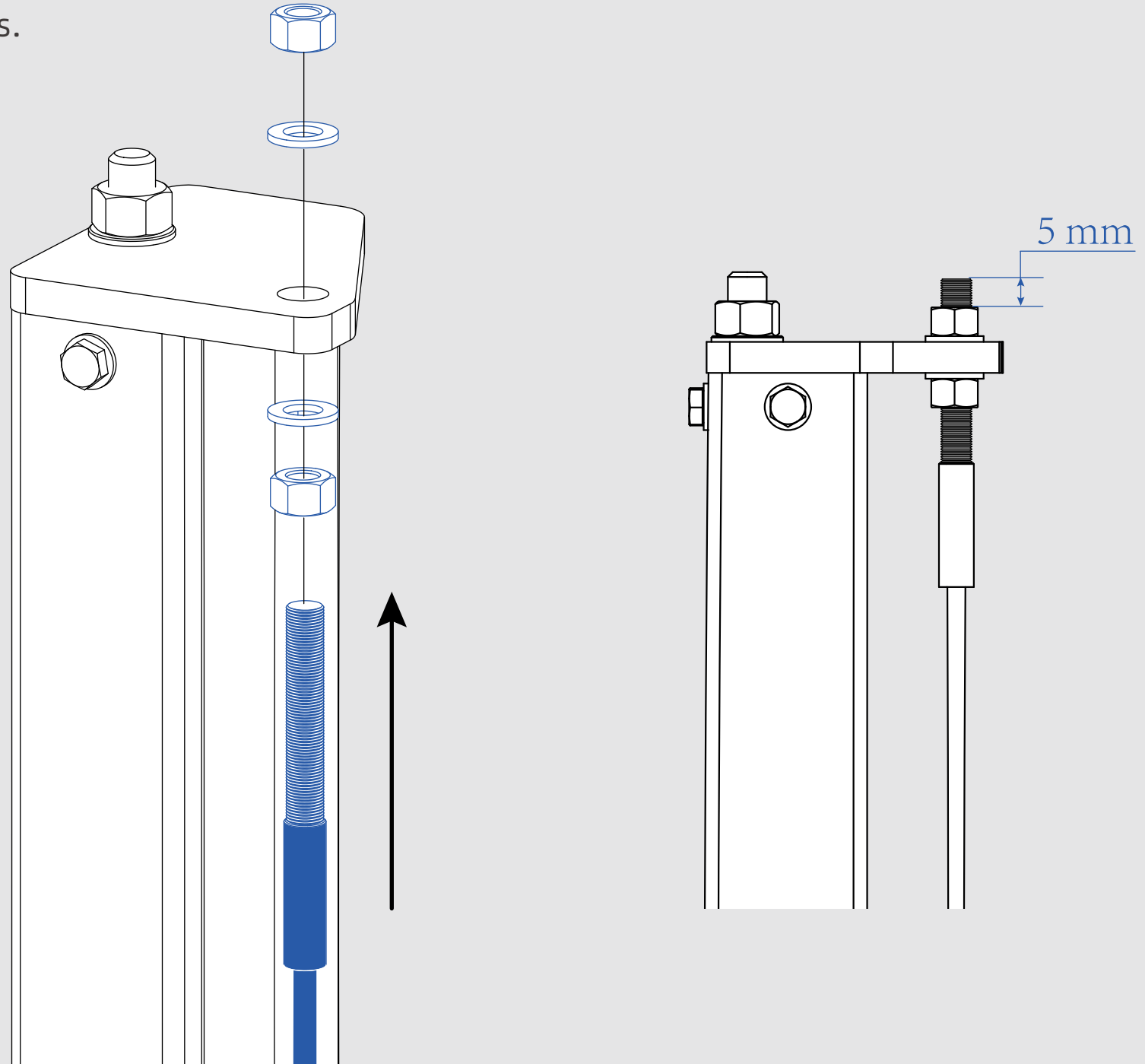
Step 9

To install steel cables.



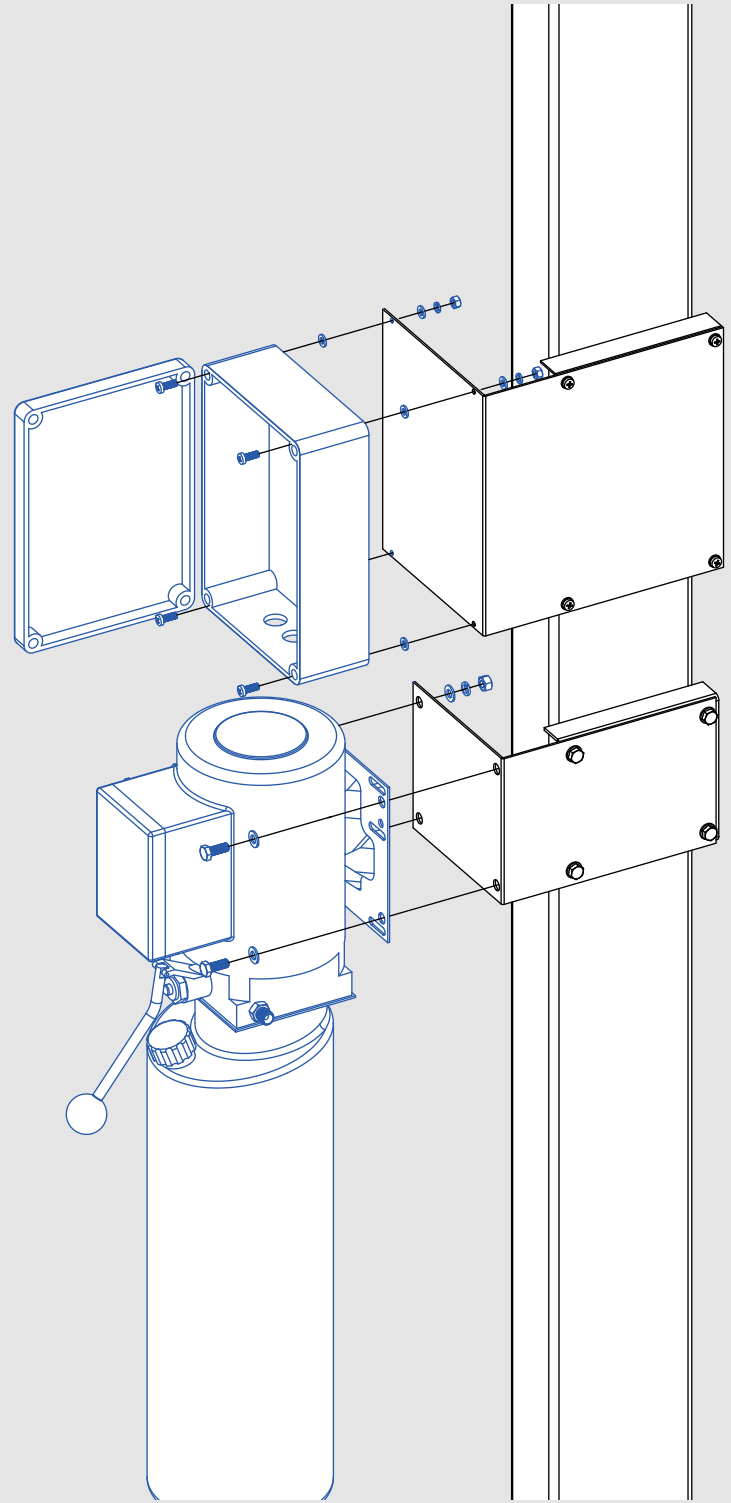
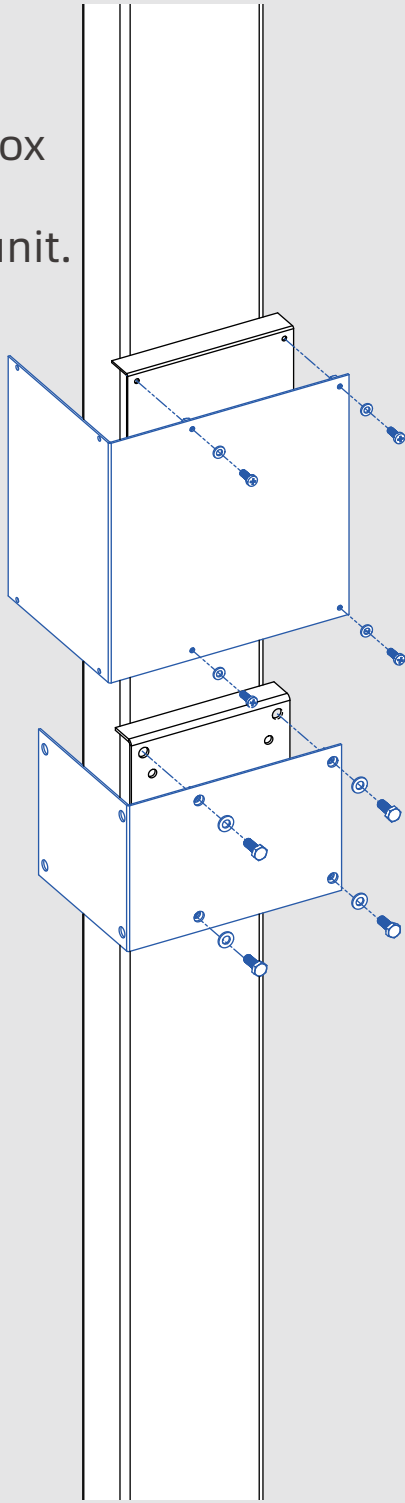
Step 9

To install steel cables.



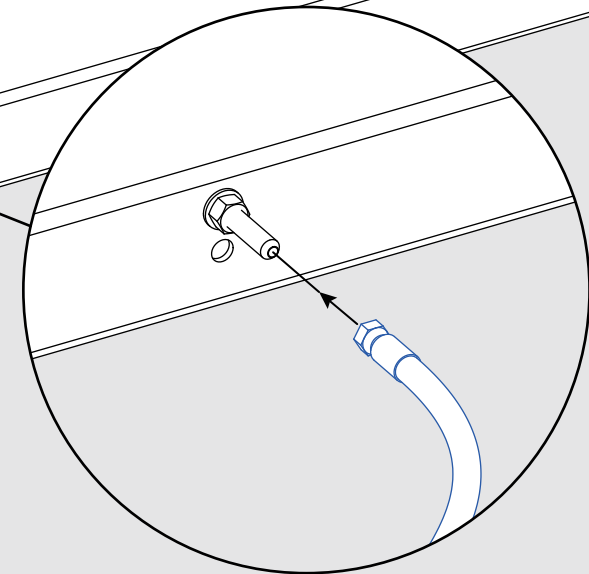
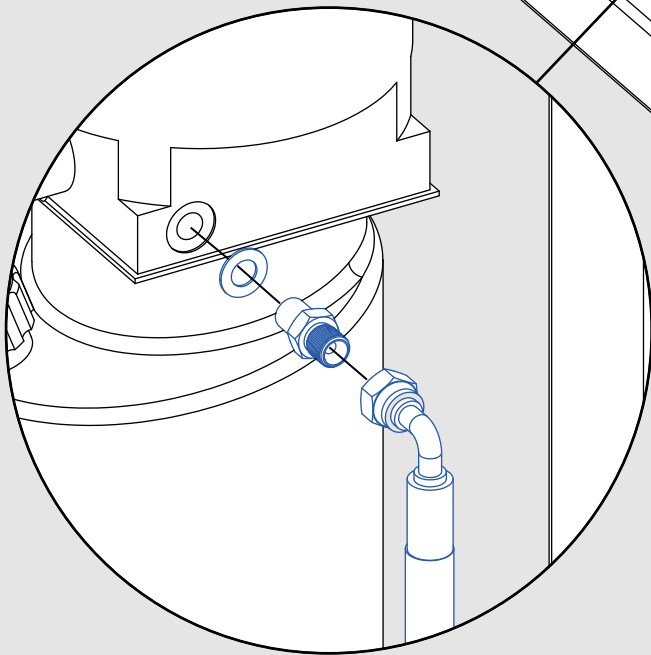
Step 10

To install mounted plates of control box and power unit.
To install the control box and power unit.



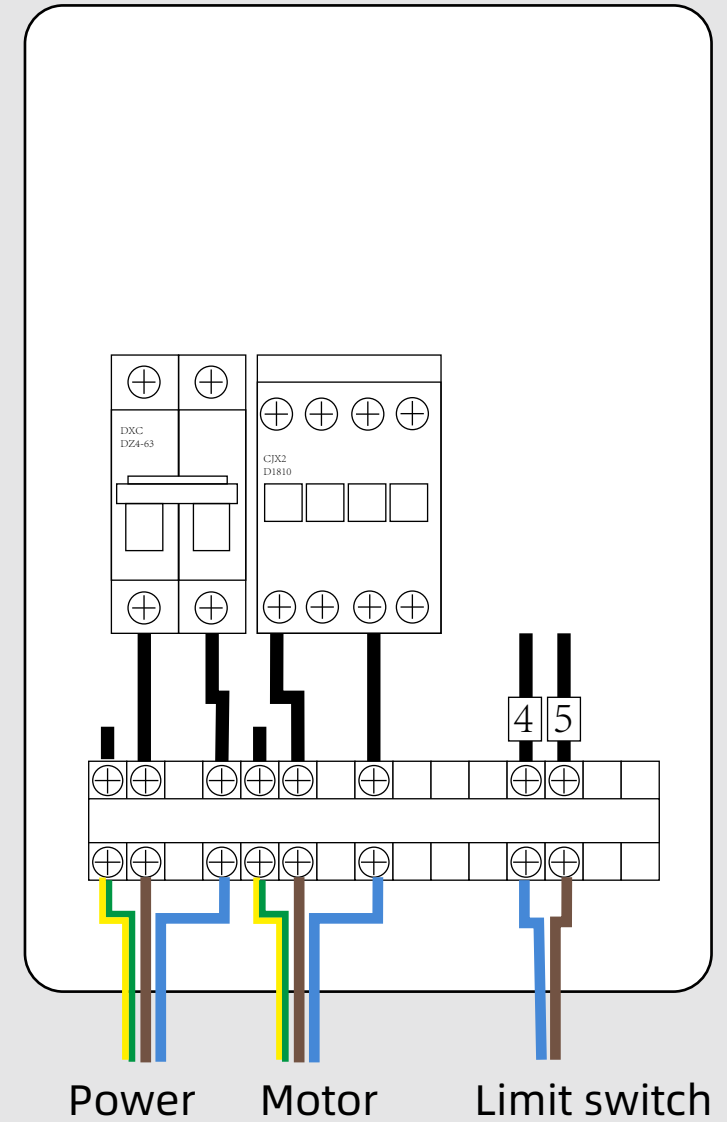
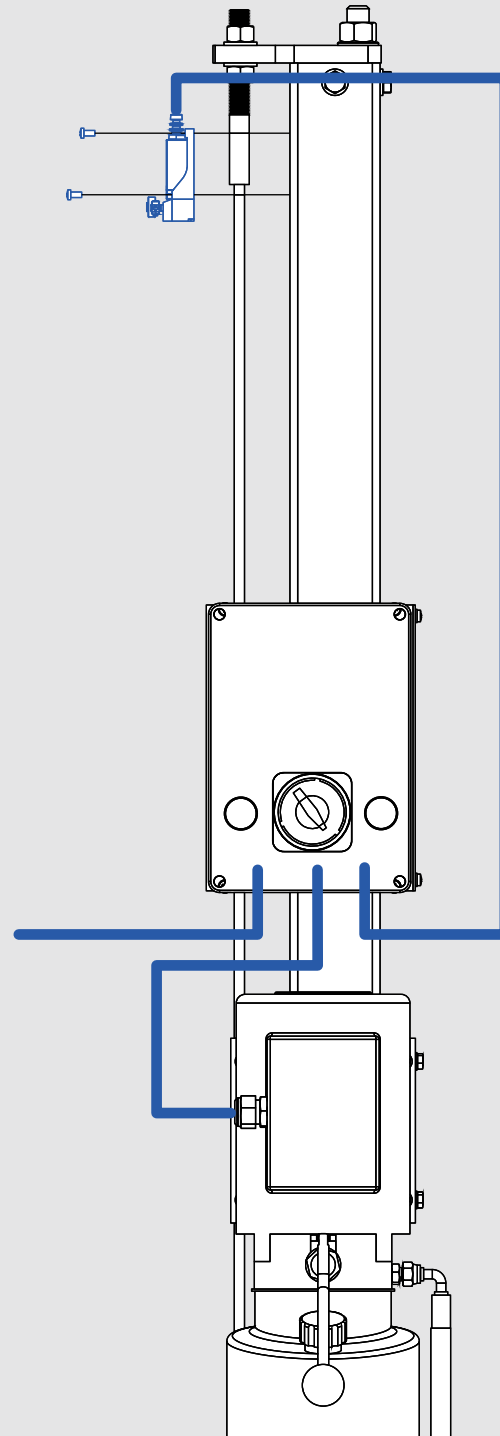
Step 11

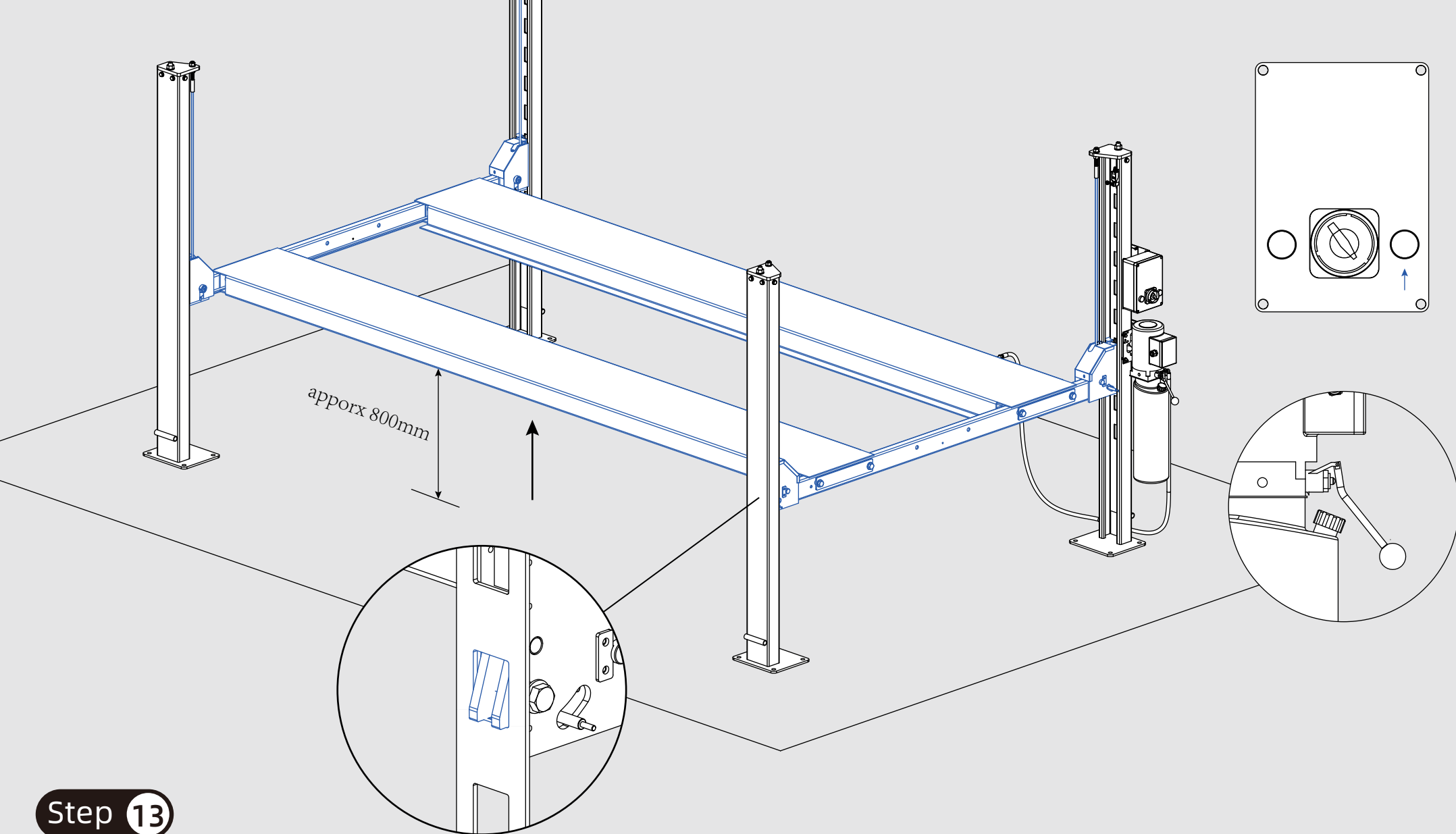
To install oil pipe to power unit.
Fill in hydraulic oil to oil tank.



Step 12

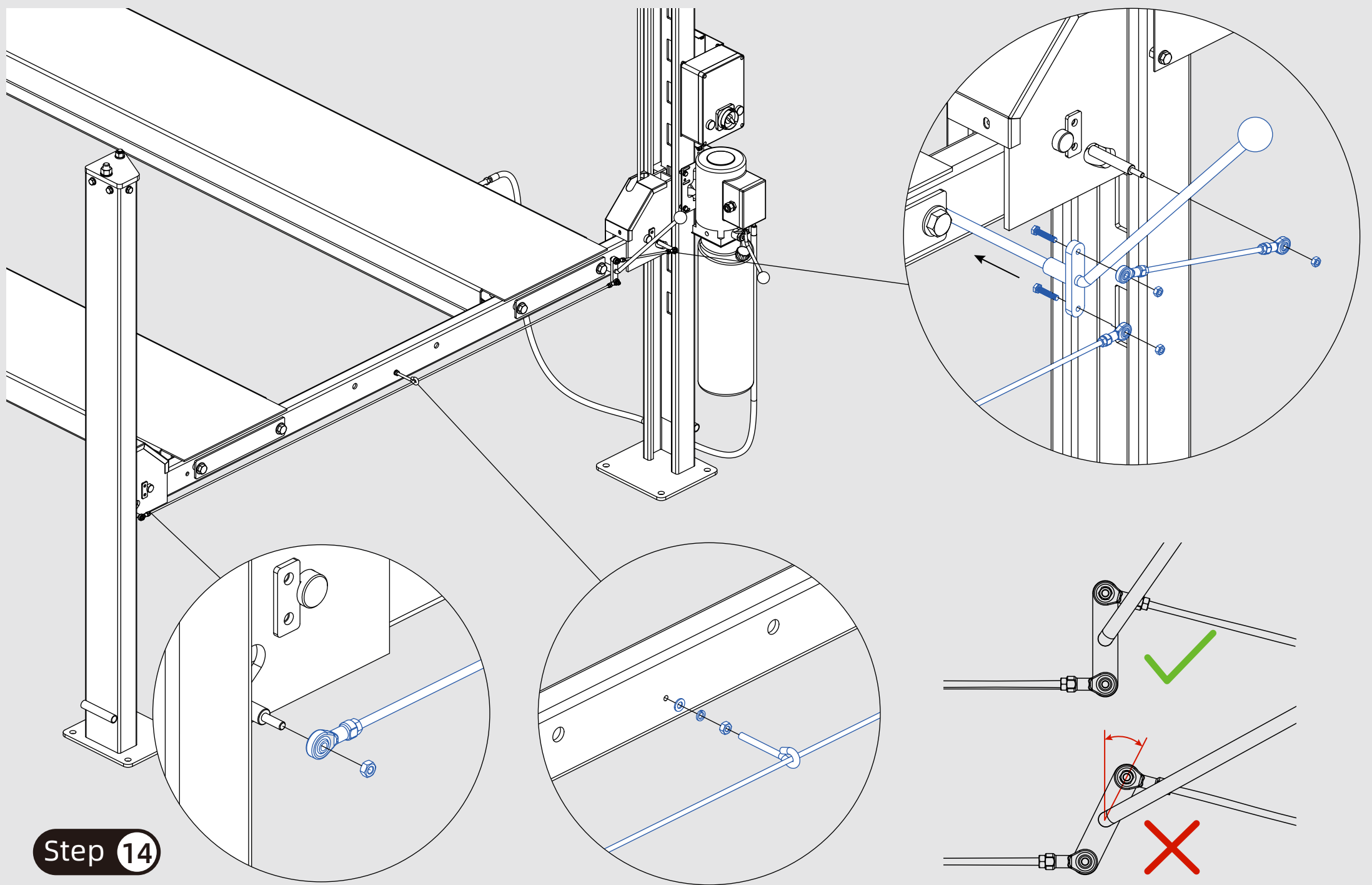
To connect the wire.





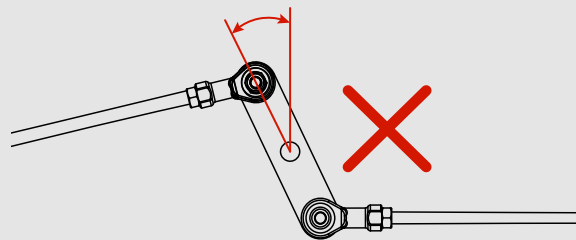
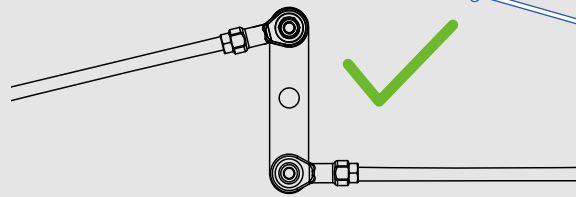
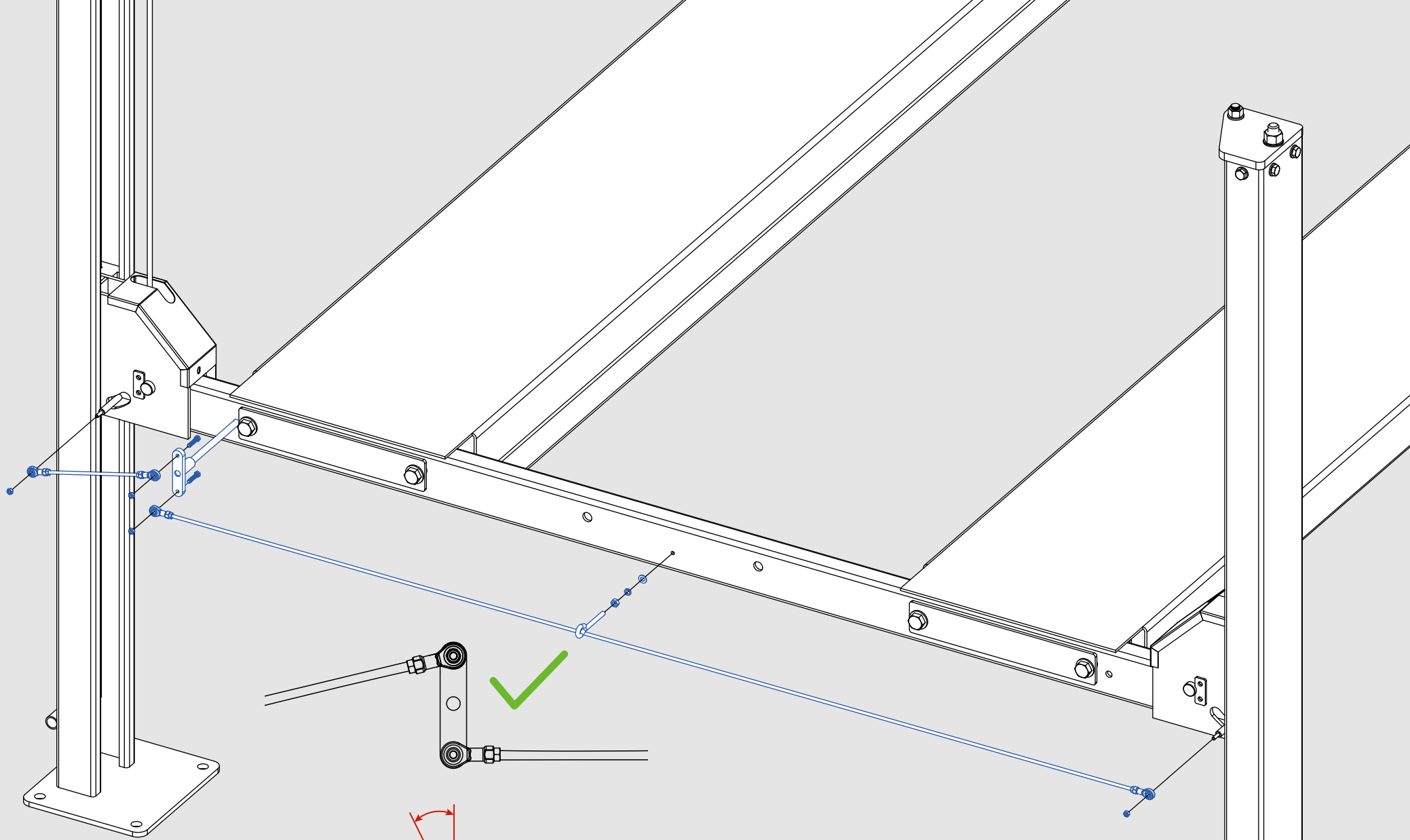
Step 13

Press the up button to raise the runway to the height of approx 800mm. Make sure all 4 locks well locked inside of ladders at the same height.



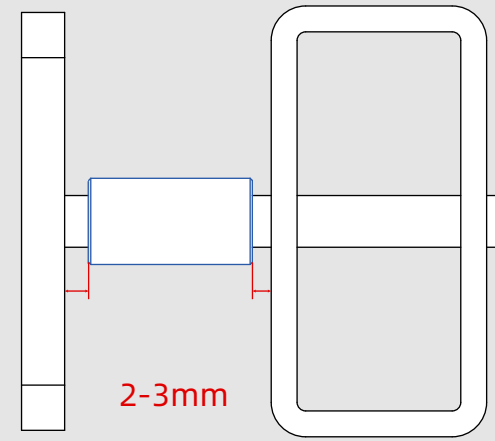
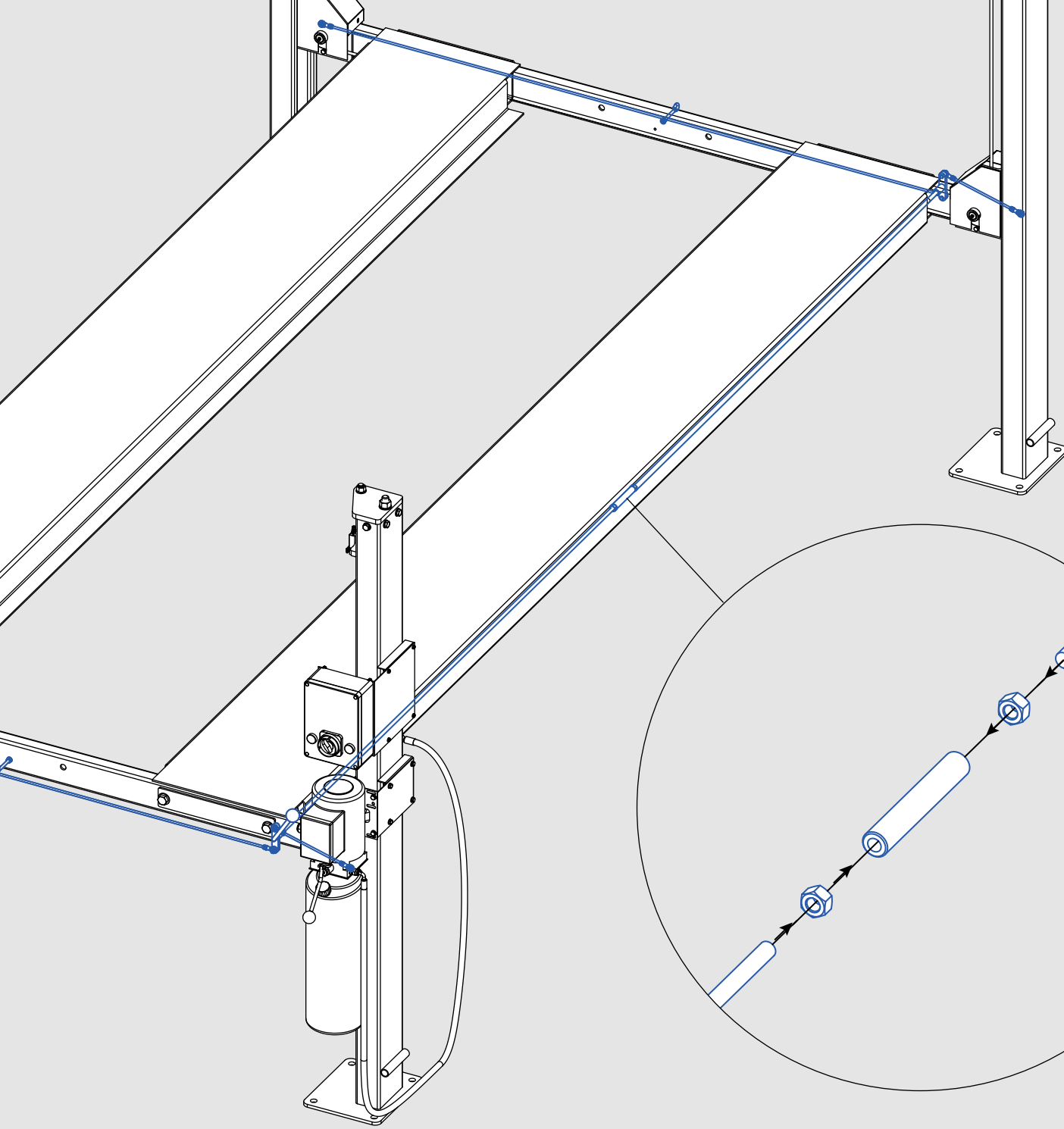
Step 14

To install the lock release lever and connecting rod.

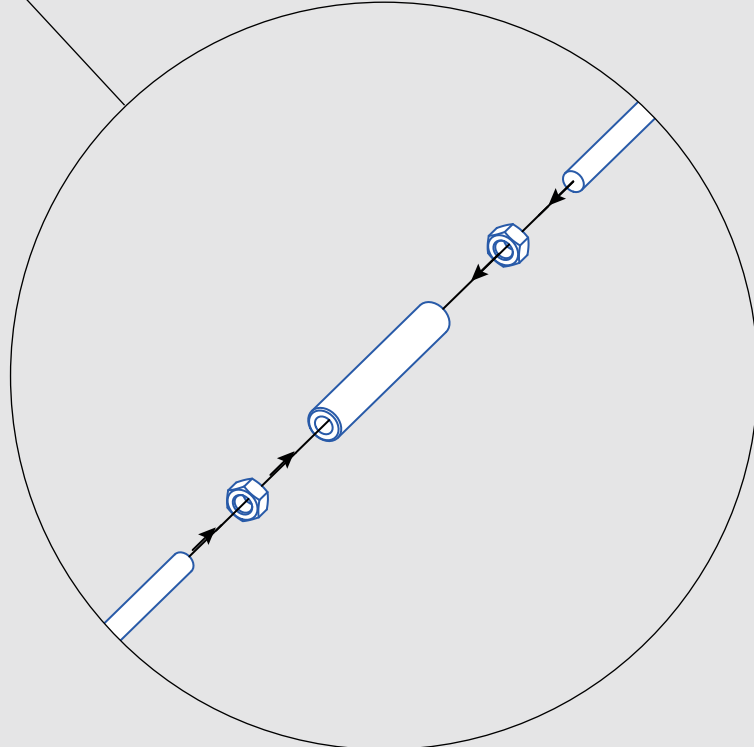


Step 14

To install the lock release lever and connecting rod.

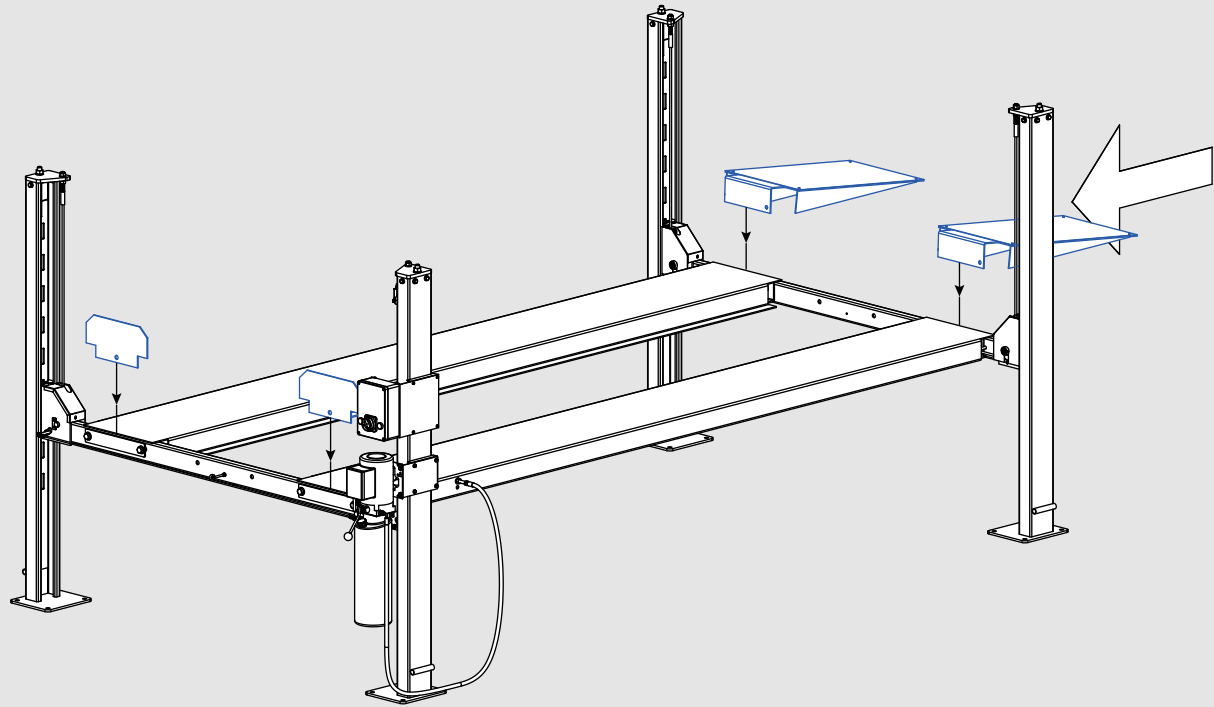
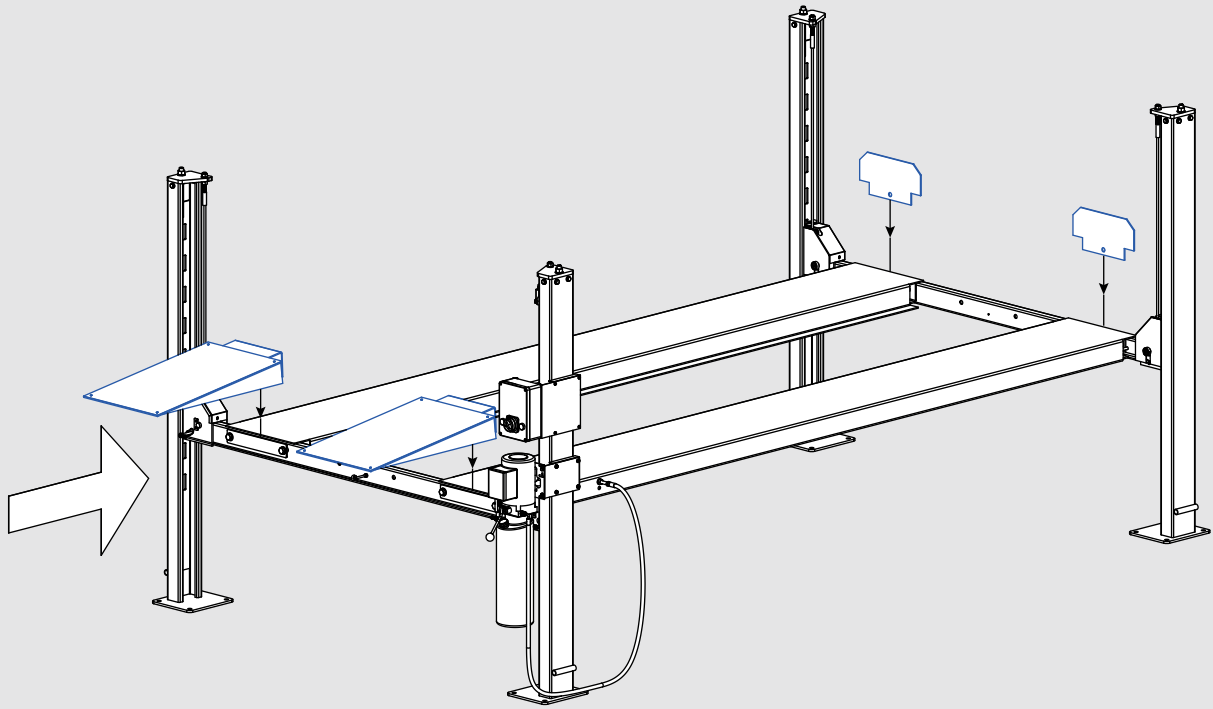


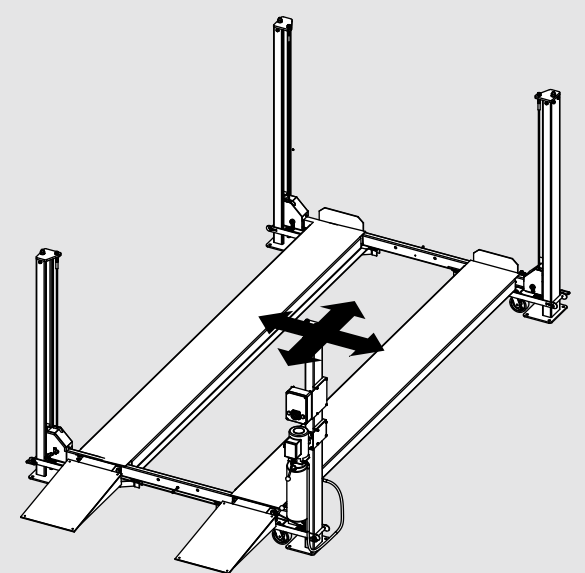
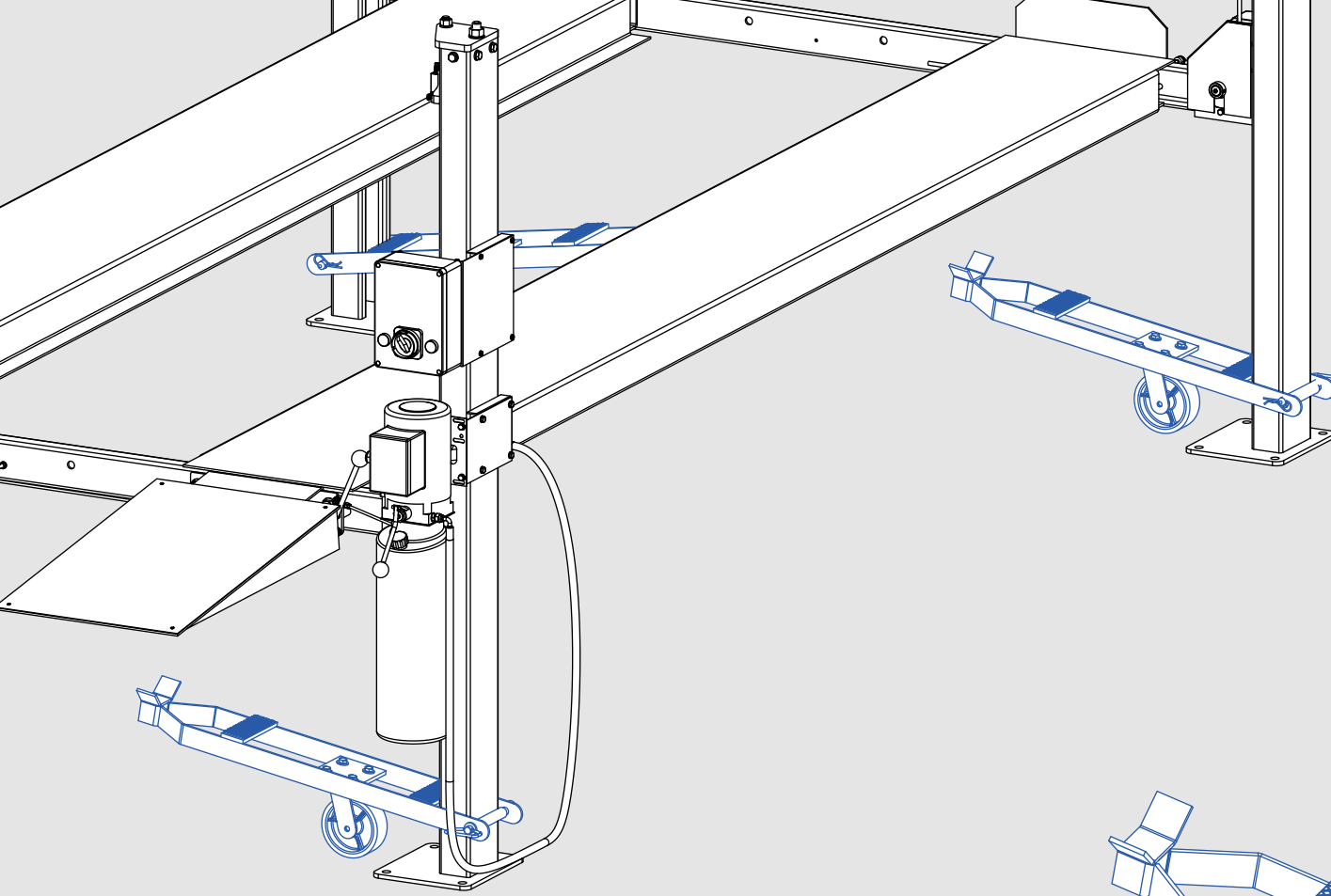
leave 2-3mm space



Step 15

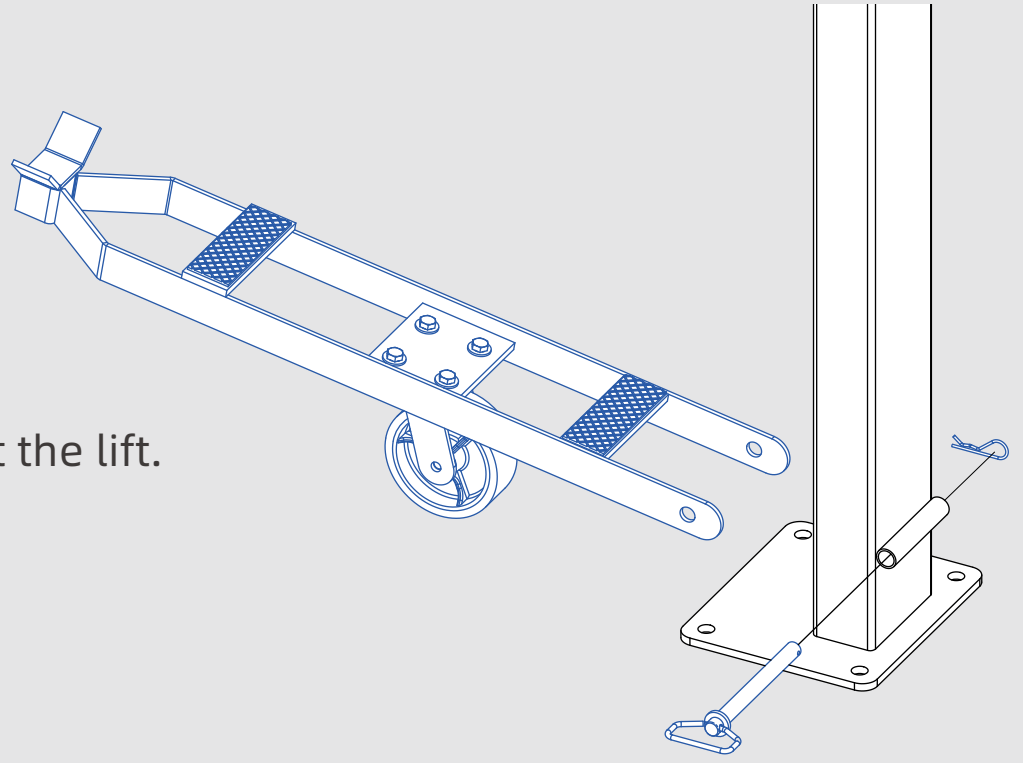
To install ramp and stoper according to the driving direction.





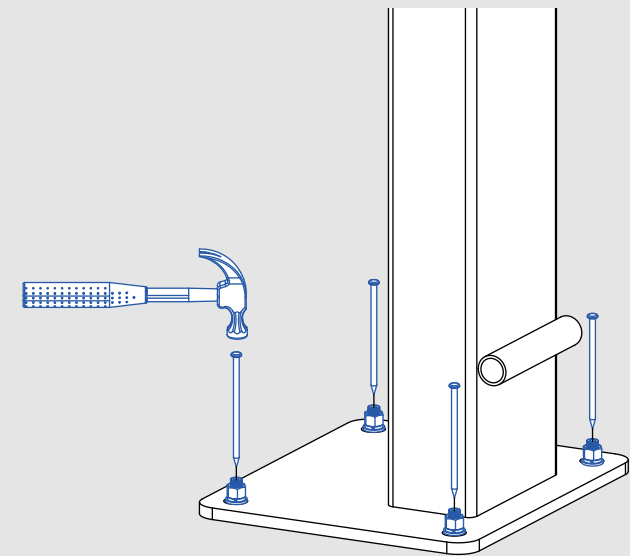
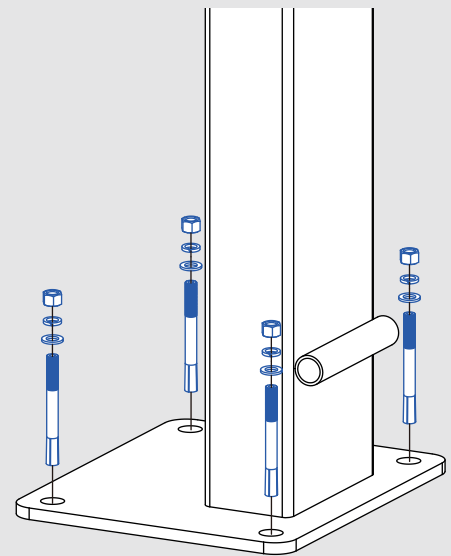
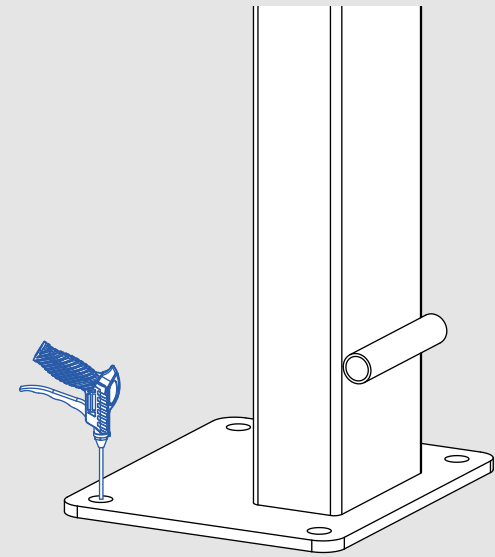
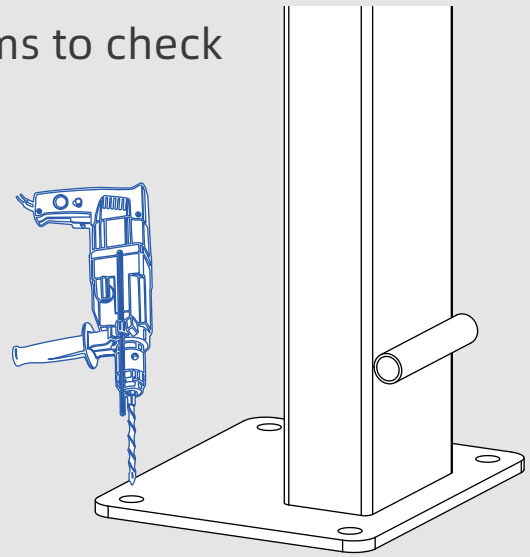
Step 16

To install the caster kit (optional). Lowering the lift to the end, the caster kit will support the lift. Move the lift to a suitable location for installation.



Step 17

Remove the caster kit.
Run up and down several times to check
without loading.
To fix well the columns.



E P L U S™