

### 3D Ultimate



**Products Advantages:**

Automatic tracking beam, technician can make measurement and adjustment on different of lifting levels . 6.4MP high accuracy camera. with 43" LED TV and 19"LCD display, fully shows glamour of 3D technology. Self-developed ultimate 3D software, showing honour of high-level customer. Adopt exclusive height target plate and software, precise measurement of vehicle body height.

**Camera automatic tracking**

Precise measurement of vehicle body height  
Suitable for checking plenty of vehicle models.

**Standard configuration:**

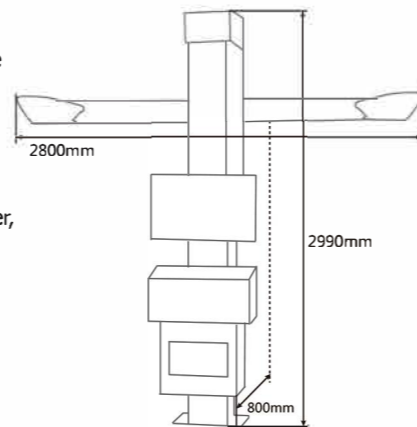
Deluxe cabinet, Electric movable post, DELL computer , Mini Target plates, 3-points clamp, Brake fixer, Steering wheel fixer, Wedge pads, Aluminum alloy turntables ,Turntable transition blocks, Exclusive height target plate.

Parameters measurement such as camber, Caster, Kingpin inclination, Toe-in & Toe-out, Set back, Thrust angle.

**Extension Functions:**

Removing Tire Adjustment(Purchasing Rim adapter), Body Dimension Measurement, Steering Wheel Adjustment, Engine Bay Adjustment, Toe Curvature Measurement(Purchasing B5 Tool Kits), Lock Toe Adjustment, Camber Measurement of Zero Toe, Scrub Radius Measurement, Rolling Radius Measurement, Body Height Measurement

**Automatic tracking beam**



### Whole moveable 3D wheel aligner



**Standard configuration:**

Movable cabinet and column ,43 inch LED TV display, DELL computer, Mini Target plates, 3-points clamp, Brake fixer, Steering wheel fixer, Wedge pads, Aluminum alloy turntables ,Turntable transition blocks, Exclusive height target plate.

**Basic Functions:**

Parameters measurement such as camber, Caster, Kingpin inclination, Toe-in & Toe-out, Set back, Thrust angle.

**Extension Functions:**

Removing Tire Adjustment(Purchasing Rim adapter), Body Dimension Measurement, Steering Wheel Adjustment, Engine Bay Adjustment, Toe Curvature Measurement(Purchasing B5 Tool Kits), Lock Toe Adjustment, Camber Measurement of Zero Toe, Scrub Radius Measurement, Rolling Radius Measurement, Body Height Measurement

**Automatic tracking beam**

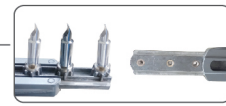
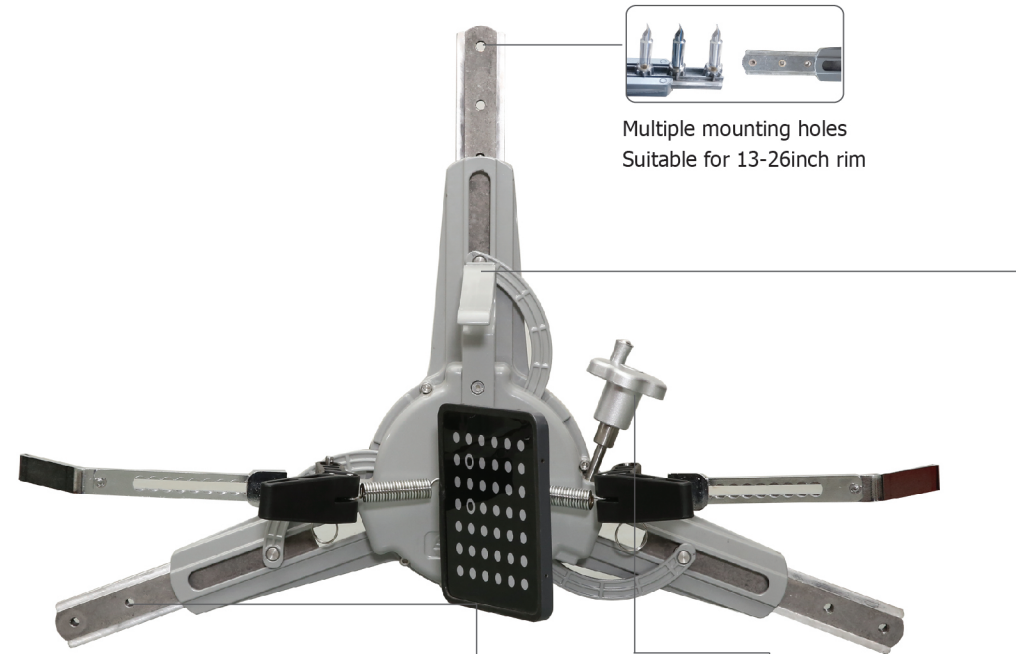


Moveable multiple workstations series



## New generation 3-point clamp with hook

Independent R & D and production, patent protection  
Higher mechanical precision, humanized design



Multiple mounting holes  
Suitable for 13-26inch rim



Standard

Aluminum 3-point clamp and target board assembly



High accuracy

Mechanical precision is better than 4-point clamp, measurement more accuracy

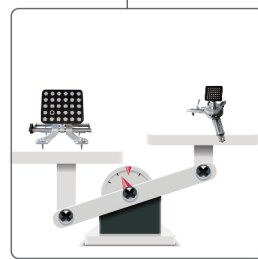


Rim Hook

Protect rim effectively



Torque Hand wheel  
Humanized warning function can protect rim effectively



Ultra-light material  
Ultra-light new material is 40% of conventional weight



Standard



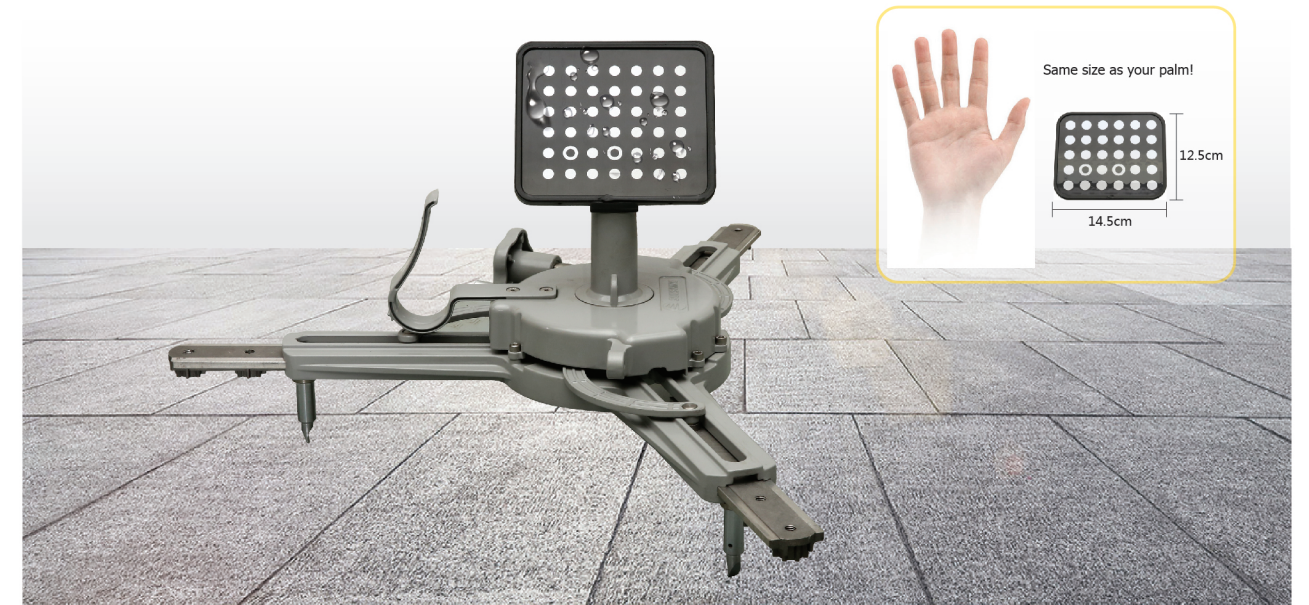
Standard



Nylon Rim protector

## New-generation waterproof and oil resistance target board

Passed the highest level IPX8 waterproof and oil resistant testing  
Imported U.S.3 M gum patent packaging technology, super waterproof and oil-proof



Steering wheel holder,exclusive patented design  
More efficient and durable



Turntable



Aluminum alloy turntable,  
high quality, exquisite appearance



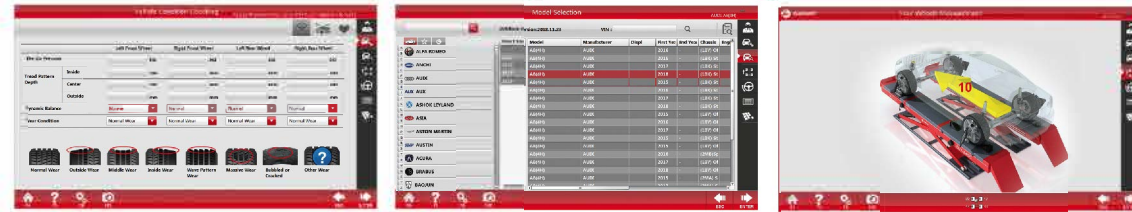
Exclusive adoption for over-voltage protector  
Power the device after 50 seconds of self -test when turn on the power,which effectively guarantee the power voltage is in allowable range  
The current voltage can be viewed in real time to prevent the device from running under low or high voltage.  
The device is powered off if over or below the interval voltage,so can be protected safely.



Equipped with Integrated electronic control unit, exclusive design, industry leader.  
Built-in type plug, without exposed wire design gives attention to both safety and beauty; Added power input and output fuses to avoid short circuit and improve safety;Modular design for strong anti-jamming performance and easy maintenance.



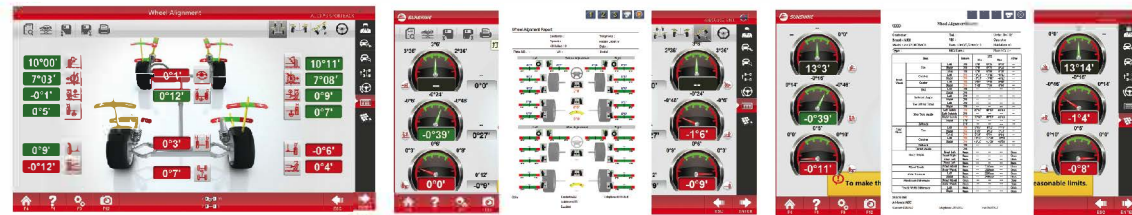
## Software Illustration



Check before doing alignment

AUTODATA authorized data covering about 120000 car models

Car pushing dynamic compensation measurement



Measurement data more comprehensive, more clear

Graphic format print report

Table format print report

## Extensive functions



Adjustment guide

Body dimension measurement

Steering Wheel Adjustment



Engine Bay Adjustment

Lock toe measurement

Camber Measurement of Zero Toe



Tire rolling radius measurement

Rolling Radius

Vehicle body height measurement

## ADAS device: Coming soon

Alignment system matching design

wheel alignment system

Extension ADAS and car lift linked functions



Products advantages:

Universal calibration design for multiple car driving systems and brands.

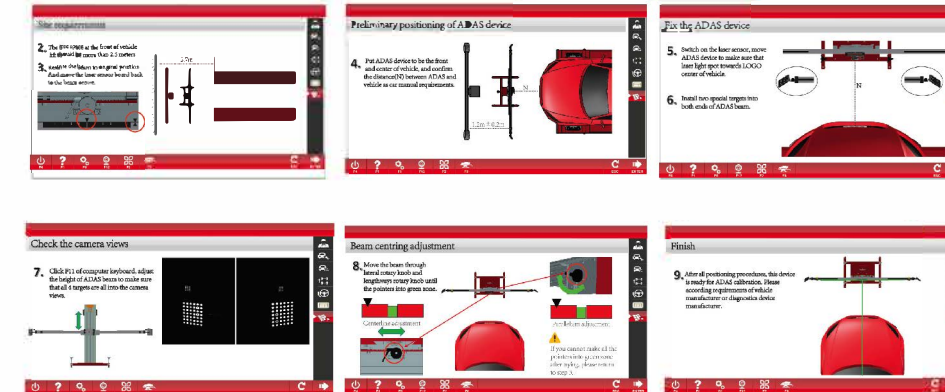
High precision design, accuracy to millimeter

Two models of operation: One is working with existing wheel alignment system. Another is working independently.

Matching for more models of car, such like Mercedes-Benz. BMW. AUDI. Volkswagen. Porsche. LEXUS. VOLVO. Toyota etc.....More are coming soon.

Calibration function for ACC. LDW. NVS. BSD. AVM. RCW. HUD etc..

### Details of software



### Details of hardware



### ADAS working diagram

